



CE

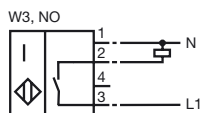
Model Number

NJ20+U1+WS3

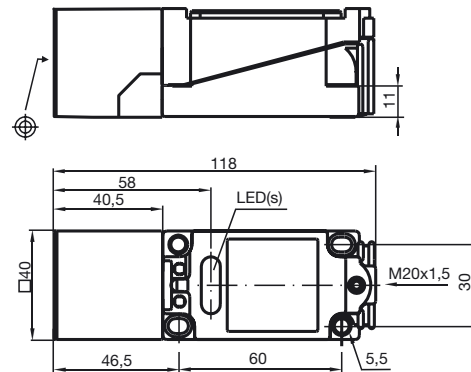
Features

- Comfort series
- 20 mm not embeddable

Connection



Dimensions



Technical Data

General specifications

Switching element function	AC	Make function
Rated operating distance	s_n	20 mm
Installation		not embeddable
Output polarity		AC
Assured operating distance	s_a	0 ... 16.2 mm
Reduction factor r_{Al}		0.35
Reduction factor r_{Cu}		0.35
Reduction factor r_{V2A}		0.8

Nominal ratings

Operating voltage	U_B	20 ... 60 V
Switching frequency	f	0 ... 20 Hz
Hysteresis	H	1 ... 10 typ. 5 %
Voltage drop	U_d	≤ 5 V
Momentary current (20 ms, 0.1 Hz)		0 ... 6000 mA
Operating current	I_L	0 ... 1000 mA
Off-state current	I_r	
Indication of the switching state		LED, yellow

Ambient conditions

Ambient temperature	-25 ... 70 °C (248 ... 343 K)
Storage temperature	-25 ... 85 °C (248 ... 358 K)

Mechanical specifications

Connection type	terminal compartment
Core cross-section	up to 2.5 mm ²
Housing material	PBT
Sensing face	PBT
Protection degree	IP68

Compliance with standards and directives

Standard conformity	
Standards	EN 60947-5-2:2007 IEC 60947-5-2:2007