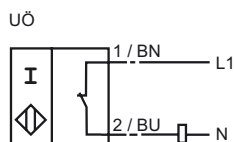
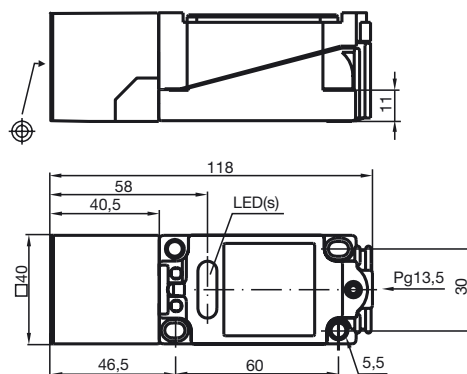


**Model Number**

NJ20+U1+UO

Connection**Dimensions****Technical Data****General specifications**

Switching element function	AC/DCBreak function
Rated operating distance	s_n 20 mm
Installation	not embeddable
Assured operating distance	s_a 0 ... 16.2 mm
Reduction factor r_{Al}	0.4
Reduction factor r_{Cu}	0.3
Reduction factor $r_{\sqrt{2}A}$	0.85

Nominal ratings

Operating voltage	U_B 20 ... 253 V
Operating voltage DC	20 ... 300 V
Switching frequency	f 0 ... 25 Hz
Hysteresis	H typ. 3 %
Short-circuit protection	pulsing
Voltage drop	U_d \leq 5 V
Momentary current (20 ms, 0.1 Hz)	0 ... 4000 mA
Operating current	I_L 8 ... 500 mA
Off-state current	I_r 0 ... 2.5 mA typ. 1.5 mA
Operating voltage display	LED, green
Indication of the switching state	LED, yellow

Standard conformity

Standards	IEC / EN 60947-5-2:2004
-----------	-------------------------

Ambient conditions

Ambient temperature	-25 ... 70 °C (248 ... 343 K)
---------------------	-------------------------------

Mechanical specifications

Connection type	terminal compartment
Core cross-section	up to 2.5 mm ²
Housing material	PBT
Sensing face	PBT
Protection degree	IP68