



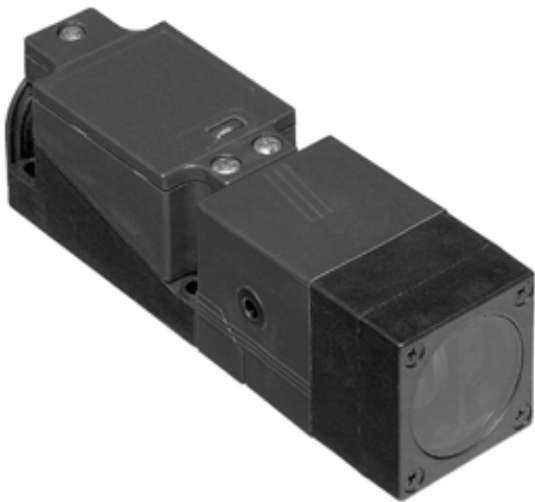
OCT2000+U9A+B3

Diffuse mode sensor with AS-Interface

# OCT2000+U9A+B3

with terminal compartment or 4-pin, connector

CE



- ◆ Sensing range up to 2 m
- ◆ Light/dark ON parameterisable
- ◆ AS-Interface certificate
- ◆ Protected against mutual interference
- ◆ Pre-fault indication (dynamic, static)
- ◆ Position of the sensor head adjustable
- ◆ Scratch resistant mineral glass lens

Release date: 2007-06-18 14:54 Date of issue: 2007-06-18 088419\_ENG.xml

**General specifications**

Detection range	0 ... 2000 mm
Light source	LED
Approvals	CE
Adjustment range	150 ... 2000 mm
Reference target	standard white 200 mm x 200 mm
Light type	infrared, modulated light
Ambient light limit	10000 Lux

**Indicators/operating means**

Operating display	LED green
Function display	LED yellow: switching state LED red flashing pre-fault indicator
Operating elements	sensitivity adjuster

**Electrical specifications**

Operating voltage	via AS-Interface network
No-load supply current $I_0$	$\leq 40$ mA
Time delay before availability $t_v$	$\leq 20$ ms

**Output**

Output of the pre-fault indication	data bit D1 (not at 1.5 kHz)
Switching type	light/dark switching
Signal output	AS-Interface
Switching frequency $f$	$\leq 1.5$ kHz / 200 Hz parameterisable with ULTRA 2001
Response time	$\leq 0.3$ ms at 1.5 kHz , $\leq 2.5$ ms at 200 Hz
Timer function	pulse extension 20 ms, configurable
Pulse extension	20 ms parameterisable

**Standard conformity**

Standards	EN 60947-5-2
-----------	--------------

**Ambient conditions**

Ambient temperature	-25 ... 70 °C (248 ... 343 K)
Storage temperature	-40 ... 80 °C (233 ... 353 K)

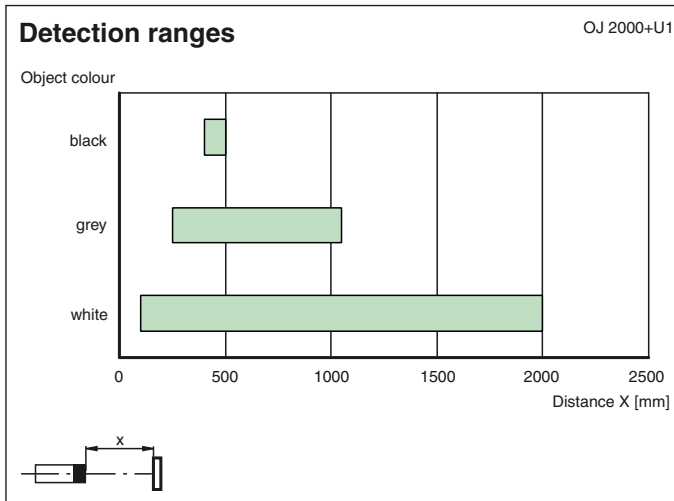
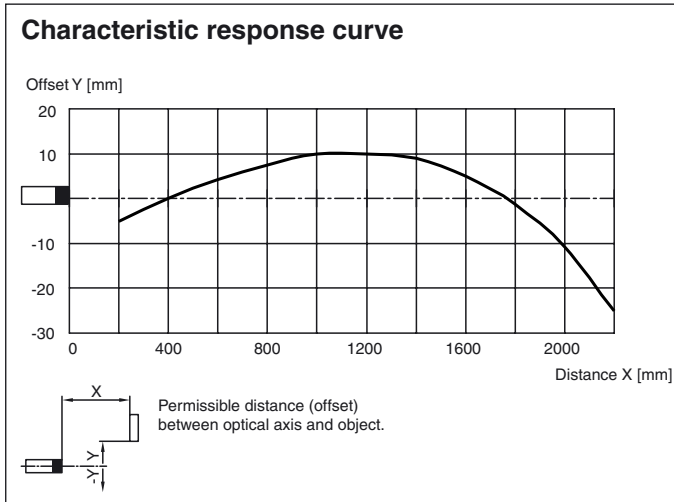
**Mechanical specifications**

Protection degree	IP67
Connection	cable piercing technique, AS-i flat cable
Material	
Housing	PBT
Optical face	Scratch resistant mineral glass lens
Mass	200 g

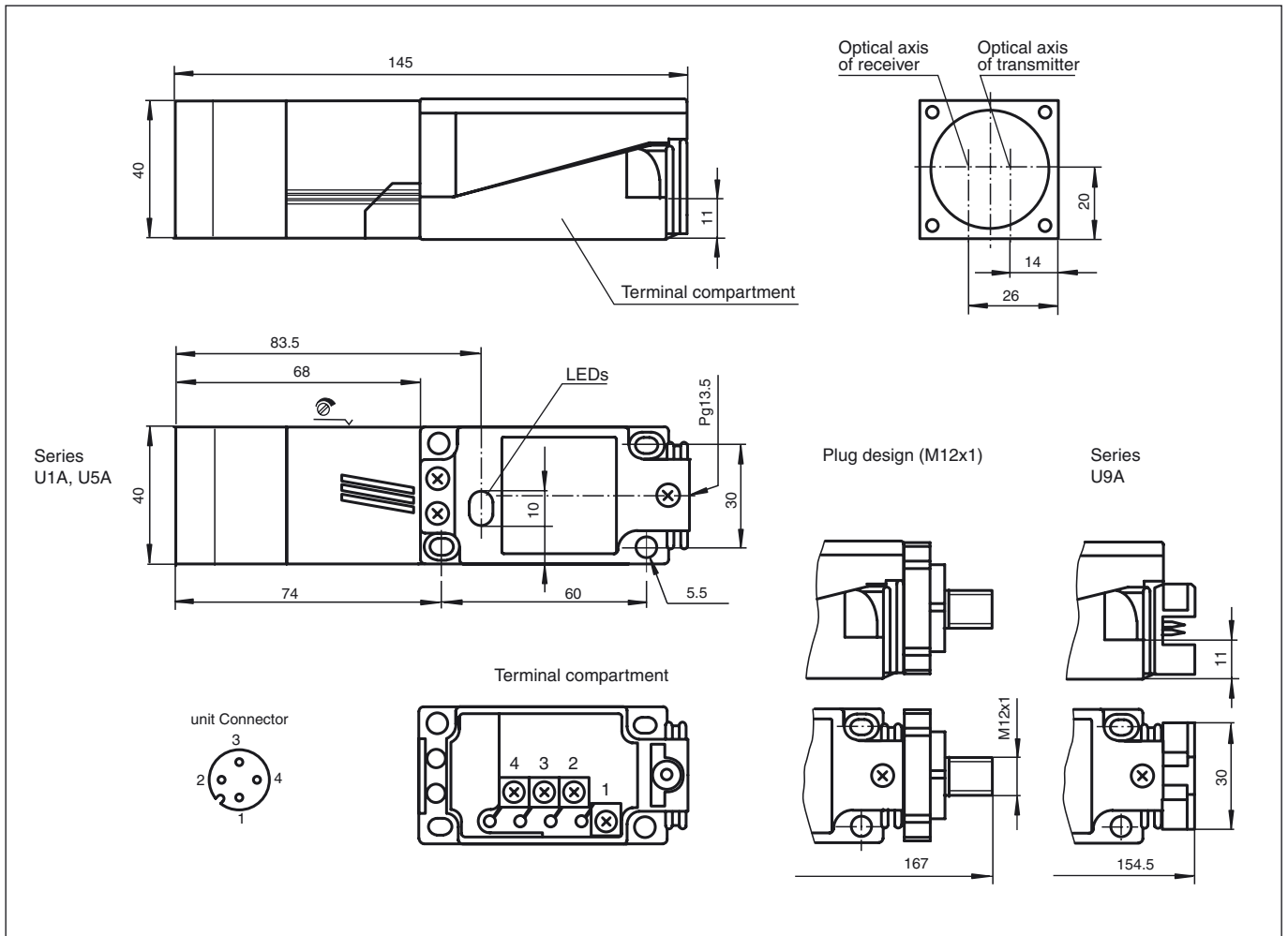
Release date: 2007-06-18 14:54 Date of issue: 2007-06-18 038419\_ENG.xml



Curves/Diagrams

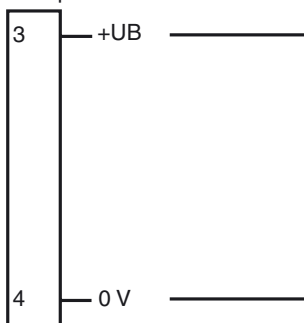


Dimensions



Electrical connection

Option: AS-I



o = light ON, • = dark ON

AS-Interface programming

Address preset to 00, can be changed via Busmaster or programming devices  
 IO code 1  
 ID code 1

• Data bit

Bit	Function
D0	switch output
D1	pre-fault indication (0=ON, 1=OFF)
D2	ready to operate
D3	switching frequency 200 Hz*/1.5 kHz <sup>3)</sup>

• Parameter bit

## OCT2000+U9A+B3

Bit	Function (1/2)
P0	pulse frequency 1*/2
P1	switch output, light*/dark ON
P2	pulse extension (20 ms) OFF*/ON
P3	pre-fault indication <sup>3)</sup> dynamic*/static

\* Default setting                      <sup>3)</sup>No activation of pre-fault signal at 1.5 kHz.