



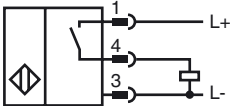
Model Number

NJ20+U1+E2-C-V1-Y39657

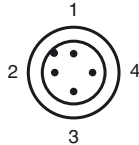
Features

- Weld Immune

Connection



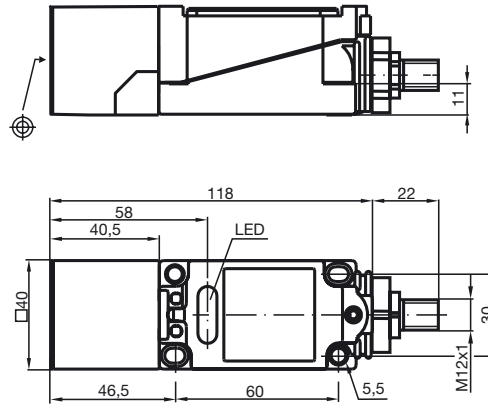
Pinout



Wire colors in accordance with EN 60947-5-2

- | | | |
|---|--|----|
| 1 | | BN |
| 2 | | WH |
| 3 | | BU |
| 4 | | BK |

Dimensions



Technical Data

General specifications

Switching element function		PNP	NO
Rated operating distance	s_n	20 mm	
Installation		not embeddable	
Output polarity		switched high	
Assured operating distance	s_a	0 ... 16.2 mm	
Reduction factor r_{Al}		0.4	
Reduction factor r_{Cu}		0.3	
Reduction factor r_{V2A}		0.85	

Nominal ratings

Operating voltage	U_B	10 ... 60 V	
Switching frequency	f	0 ... 10 Hz	
Hysteresis	H	typ. 3 %	
Reverse polarity protected		reverse polarity protected	
Short-circuit protection		pulsing	
Voltage drop	U_d	≤ 3 V	
Operating current	I_L	0 ... 200 mA	
No-load supply current	I_0	≤ 20 mA	
Alternating magnetic field	B	180 mT	
Operating voltage display		LED, green	
Indication of the switching state		LED, yellow	

Ambient conditions

Ambient temperature		-25 ... 70 °C (-13 ... 158 °F)
---------------------	--	--------------------------------

Mechanical specifications

Connection type		Device connector M12 x 1 , 4-pin
Housing material		PBT
Sensing face		PBT
Protection degree		IP67

Compliance with standards and directives

Standard conformity		
Standards		EN 60947-5-2:2007 IEC 60947-5-2:2007

Release date: 2010-07-05 13:36 Date of issue: 2010-07-05 039657_ENG.xml