



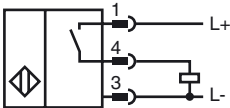
Model Number

NJ30+U1+E2-C-V1-Y39658

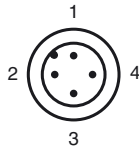
Features

- Weld Immune

Connection



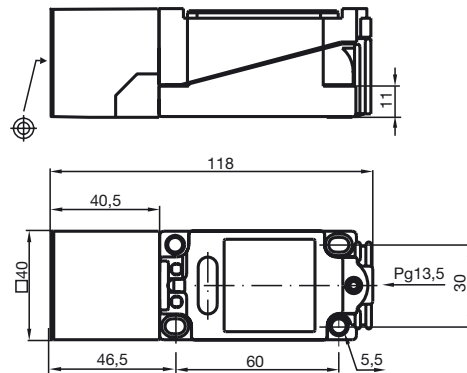
Pinout



Wire colors in accordance with EN 60947-5-2

1	BN
2	WH
3	BU
4	BK

Dimensions



Technical Data

General specifications

Switching element function	PNP	NO
Rated operating distance	s_n	30 mm
Installation	not embeddable	
Output polarity	switched high	
Assured operating distance	s_a	0 ... 24.3 mm
Reduction factor r_{AI}	0.4	
Reduction factor r_{Cu}	0.3	
Reduction factor r_{V2A}	0.85	

Nominal ratings

Operating voltage	U_B	10 ... 60 V
Switching frequency	f	0 ... 10 Hz
Hysteresis	H	typ. 3 %
Reverse polarity protected	reverse polarity protected	
Short-circuit protection	pulsing	
Voltage drop	U_d	≤ 3 V
Operating current	I_L	0 ... 200 mA
No-load supply current	I_0	≤ 20 mA
Alternating magnetic field	B	180 mT
Operating voltage display	LED, green	
Indication of the switching state	LED, yellow	

Ambient conditions

Ambient temperature	-25 ... 70 °C (-13 ... 158 °F)
---------------------	--------------------------------

Mechanical specifications

Connection type	Device connector M12 x 1 , 4-pin
Housing material	PBT
Sensing face	PBT
Protection degree	IP68

Compliance with standards and directives

Standard conformity	
Standards	EN 60947-5-2:2007 IEC 60947-5-2:2007