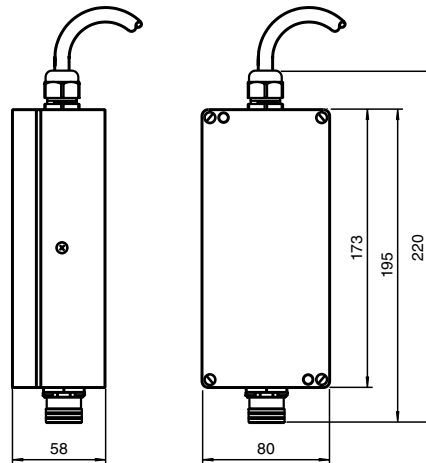
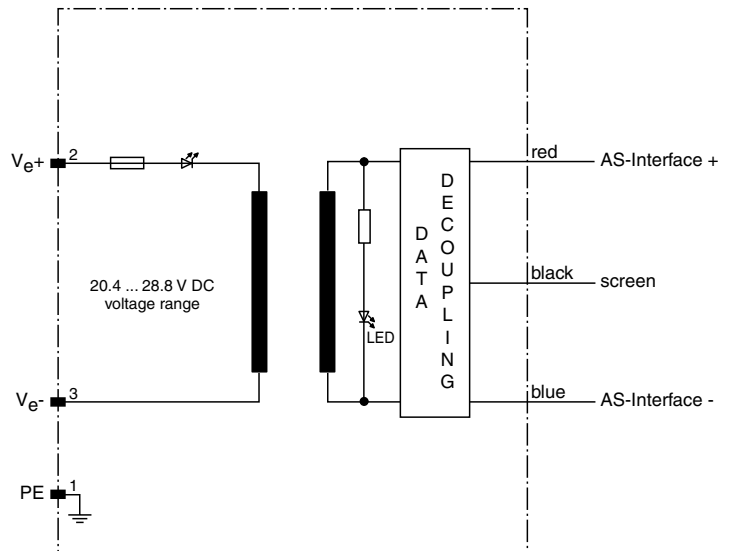




Dimensions



Electrical connection



Model Number

VAN-24DC-K9

Power supply in IP65

Features

- PELV
- Output current 2.8 A
- Input voltage 24 V DC
- LED operating display
- Protection degree IP65

Function

The power supply unit powers a fully loaded AS-Interface system with an output current of 2.8 A.

Note:

The device is supplied with an insulating screw joint, two flat cable seals for the AS-Interface two-wire cable and a reducing seal of Ø2 ... 7 mm for PG11.

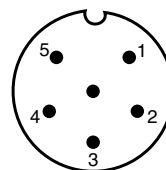
Matching system components

VAZ-V8-6

Round socket

Indicating / Operating means

24 V DC connection



Technical data**Indicators/operating means**LED green active at $U_A \geq 28.5 \text{ V}$ **Electrical specifications**Rated operational voltage U_e 24 V DC +20/-15%Ripple $\leq 300 \text{ mV}_{\text{SS}}$, 0 ... 10 kHz**Output**Short-circuit protection/overload current limiting usage $> 2.8 \text{ V}$

Current 2.4 A max. 2.8 A

Voltage 29.5 ... 31.6 V DC

Ambient conditions

Ambient temperature 0 ... 70 °C (273 ... 343 K)

Storage temperature -25 ... 85 °C (248 ... 358 K)

Mechanical specifications

Connection cable length: 0.5 m

Mass approx. 1000 g