



**Model Number**

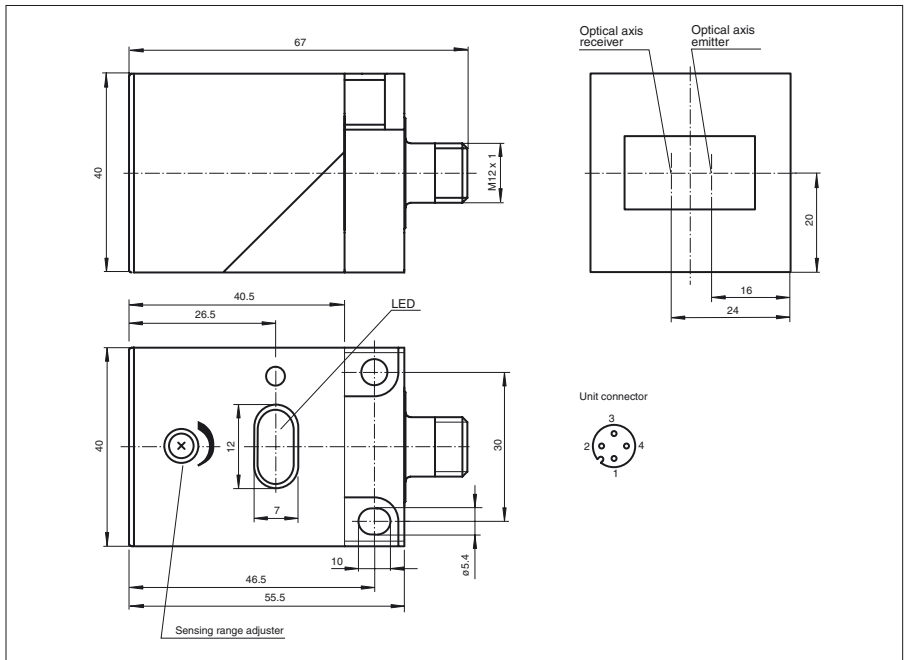
**OBH200-L2-E4-V1**

Background suppression sensor with 4-pin, M12 connector

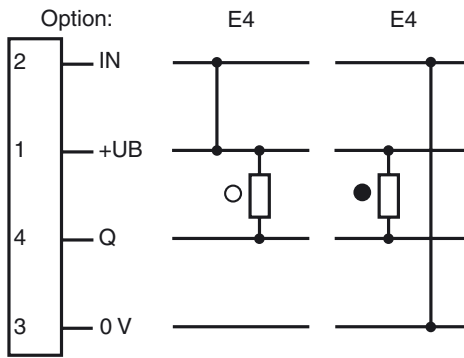
**Features**

- Detection range up to 200 mm
- Background suppression
- Visible red light
- Protection degree IP67
- Positioning of the sensor head is possible in two planes
- Multitude of mounting possibilities
- Mounting only with one tool: the screwdriver

**Dimensions**



**Electrical connection**



○ = Light on  
● = Dark on

Release date: 2007-06-19 16:44 Date of issue: 2011-01-26 051063\_ENG.xml

**Technical data****General specifications**

Detection range	5 ... 200 mm
Detection range min.	5 ... 60 mm
Detection range max.	5 ... 200 mm
Reference target	standard white 200 mm x 200 mm
Light source	LED
Light type	modulated visible red light
Approvals	CE
Diameter of the light spot	approx. 14 mm at a distance of 200 mm
Ambient light limit	15000 Lux

**Indicators/operating means**

Function display	LED yellow: switching state LED red: pre-fault indication
Controls	Detection range adjuster

**Electrical specifications**

Operating voltage	$U_B$	10 ... 30 V DC
Ripple		10 %
No-load supply current	$I_0$	$\leq 20$ mA
Time delay before availability	$t_v$	$\leq 20$ ms

**Input**

Control input	NO: +UB NC: -UB
---------------	--------------------

**Output**

Switching type	light/dark on selectable programmable	
Signal output	1 NPN output, short-circuit protected, reverse polarity protected, open collector	
Switching voltage	max. 30 V DC	
Switching current	max. 250 mA	
Switching frequency	$f$	$\leq 100$ Hz
Response time		$\leq 2.5$ ms

**Standard conformity**

Standards	EN 60947-5-2
-----------	--------------

**Ambient conditions**

Ambient temperature	-25 ... 70 °C (-13 ... 158 °F)
Storage temperature	-40 ... 80 °C (-40 ... 176 °F)

**Mechanical specifications**

Protection degree	IP67
Connection	connector M12 x 1, 4-pin
Material	
Housing	PBT
Optical face	scratch resistant plastic lens
Mass	60 g

**Approvals and certificates**

CCC approval	Products with a maximum operating voltage of $\leq 36$ V do not bear a CCC marking because they do not require approval.
--------------	--

**Curves/Diagrams**