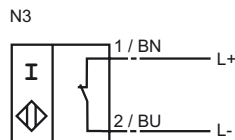
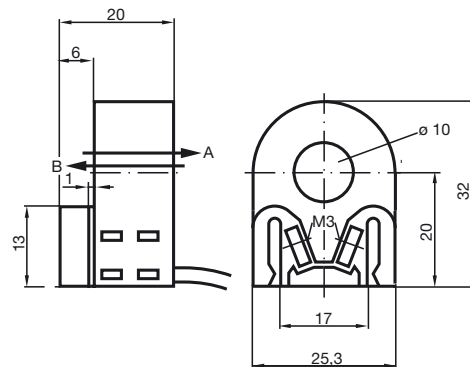


**Model Number**

RC10-14-N3-Y51658

**Connection****Dimensions****Technical Data****General specifications**

Switching element function

Installation

Inside diameter 10 mm

Measuring cylinder

Diameter 2.5 mm

Length 3 mm

Measuring cone 4 mm

Passage speed  $v \leq 10$  m/s**Nominal ratings**Nominal voltage  $U_o$  8 VOperating voltage  $U_B$  5 ... 25 VHysteresis  $H$  typ. 1 %

Reverse polarity protected reverse polarity protected

Current consumption

Passage B  $U_B=8V$   $\geq 3$  mAPassage B  $U_B=10V$   $\geq 4.2$  mAPassage A  $U_B=10V$  0.5 ... 1 mA typ. 0.9 mAPassage A  $U_B=8V$  0.5 ... 0.95 mA typ. 0.8 mAPower ON  $\geq 3$  mA with  $U_B = 8$  V $\geq 4.2$  mA at  $U_B = 10$ **Standard conformity**

EMC in accordance with IEC / EN 60947-5-2:2004

Standards DIN EN 60947-5-6 (NAMUR)

**Ambient conditions**

Ambient temperature -25 ... 100 °C (-13 ... 212 °F)

Storage temperature -40 ... 100 °C (-40 ... 212 °F)

**Mechanical specifications**Core cross-section 0.14 mm<sup>2</sup>

Housing material PBT

Protection degree IP67

**General information**

Use in the hazardous area see instruction manuals

Category 2G

**ATEX 2G**

Instruction

**Device category 2G**

Directive conformity

Standard conformity

CE symbol

Ex-identification

EC-Type Examination Certificate

Appropriate type

Effective internal capacitance  $C_i$ Effective internal inductance  $L_i$ 

General

Highest permissible ambient temperature

Installation, Commissioning

Maintenance

**Special conditions****Manual electrical apparatus for hazardous areas**


for use in hazardous areas with gas, vapour and mist

94/9/EG

EN 50014:1997, EN 50020:1994

Ignition protection "Intrinsic safety"

Use is restricted to the following stated conditions

 0102 II 2G EEx ia IIC T6

PTB 99 ATEX 2128 X

RC10-...-N3...

≤ 90 nF ; a cable length of 10 m is considered.

≤ 120 μH ; a cable length of 10 m is considered.

The apparatus has to be operated according to the appropriate data in the data sheet and in this instruction manual. The EC-Type Examination Certificate has to be observed. The special conditions must be adhered to!

The temperature ranges, according to temperature class, are given in the EC-Type Examination Certificate.

Laws and/or regulations and standards governing the use or intended usage goal must be observed. The intrinsic safety is only assured in connection with an appropriate related apparatus and according to the proof of intrinsic safety.

No changes can be made to apparatus, which are operated in hazardous areas. Repairs to these apparatus are not possible.