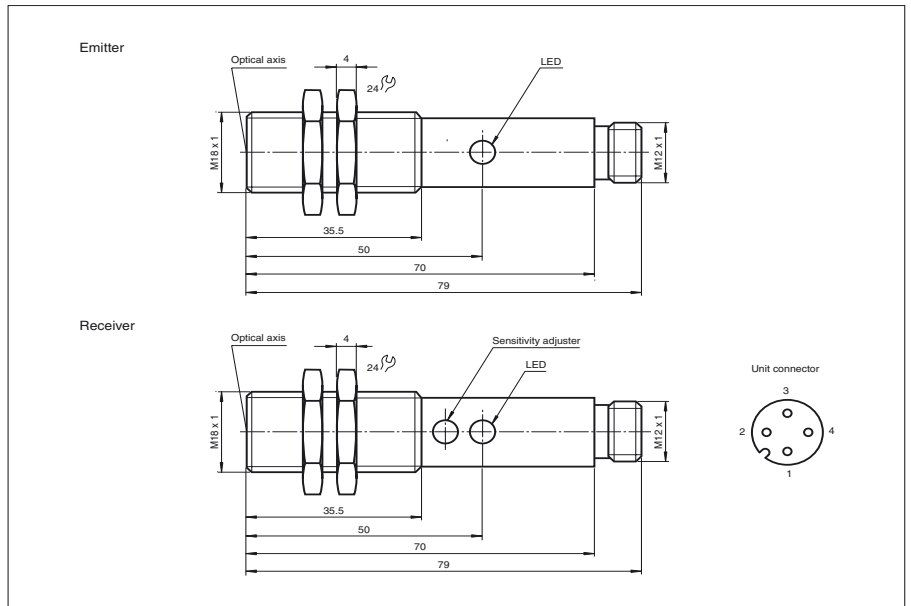




Dimensions



Model Number

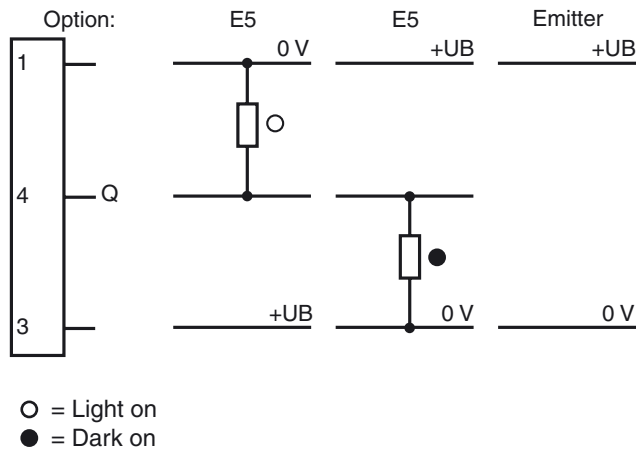
OBE5000-18GM70-SE5-V1

Thru-beam sensor
with M12 x 1 connector

Features

- Light/dark ON, programmable
- Protection degree IP67
- Strong metallic housing in cylindrical shape M18 x 1
- Sensitivity adjuster for optimal adaptation to the application
- LED indicator for a simple operation start

Electrical connection



Release date: 2007-09-20 16:58 Date of issue: 2007-09-20 082425_ENG.xml

Technical data

General specifications

Effective detection range	0 ... 5 m
Light source	LED
Approvals	CE
Adjustment range	500 ... 5000 mm
Reference target	receiver
Light type	infrared, modulated light
Ambient light limit	10000 Lux

Indicators/operating means

Operating display	LED green (emitter)
Function display	LED yellow: switching state (receiver)
Operating elements	sensitivity adjuster

Electrical specifications

Operating voltage	10 ... 30 V DC
Ripple	10 %
No-load supply current	$I_0 \leq 20$ mA (device)
Time delay before availability	$t_v \leq 50$ ms

Output

Switching type	light/dark switching
Signal output	1 switch output pnp
Switching voltage	max. 30 V DC
Switching current	max. 100 mA
Output type	1 switch output E5, pnp NO/NC
Voltage drop	$U_d \leq 2.5$ V
Switching frequency	$f \leq 300$ Hz
Switch-on delay	$t_{on} 1.5$ ms
Response time	≤ 1.5 ms

Standard conformity

Standards	EN 60947-5-2
-----------	--------------

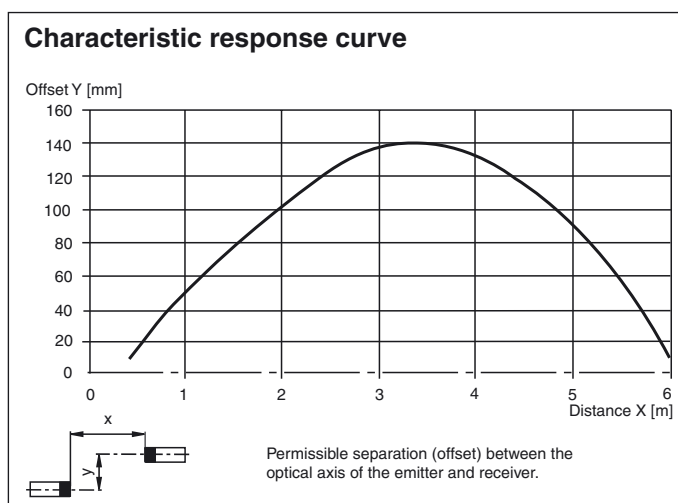
Ambient conditions

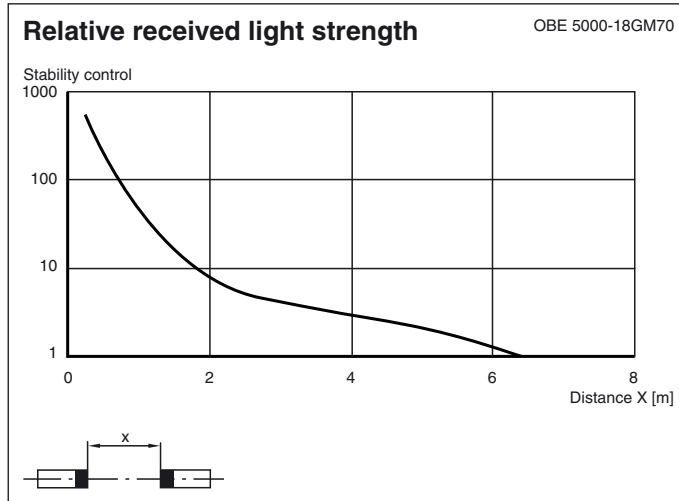
Ambient temperature	-25 ... 55 °C (248 ... 328 K)
Storage temperature	-40 ... 70 °C (233 ... 343 K)

Mechanical specifications

Protection degree	IP67
Connection	connector M12 x 1, 4-pin
Material	
Housing	brass, nickel-plated
Optical face	PC
Mass	45 g (device)

Curves/Diagrams





Release date: 2007-09-20 16:58 Date of issue: 2007-09-20 082425_ENG.xml