



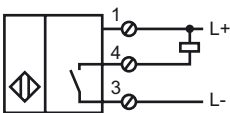
**Model Number**

NJ30+U1+E

**Features**

- Comfort series
- 30 mm not embeddable

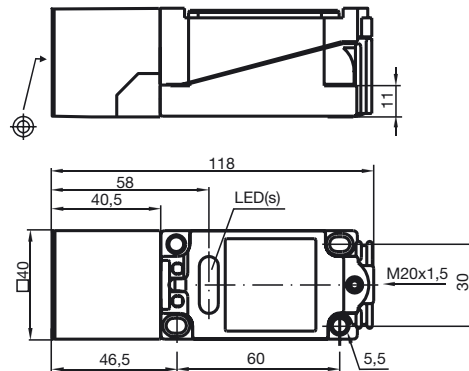
**Connection**



**Accessories**

**MHW 01**  
Modular mounting bracket

**Dimensions**



**Technical Data**

**General specifications**

|                            |       |                |    |
|----------------------------|-------|----------------|----|
| Switching element function |       | NPN            | NO |
| Rated operating distance   | $s_n$ | 30 mm          |    |
| Installation               |       | not embeddable |    |
| Output polarity            |       | DC             |    |
| Assured operating distance | $s_a$ | 0 ... 24.3 mm  |    |
| Reduction factor $r_{Al}$  |       | 0.45           |    |
| Reduction factor $r_{Cu}$  |       | 0.4            |    |
| Reduction factor $r_{303}$ |       | 0.8            |    |

**Nominal ratings**

|                                   |       |                            |
|-----------------------------------|-------|----------------------------|
| Operating voltage                 | $U_B$ | 10 ... 60 V                |
| Switching frequency               | $f$   | 0 ... 100 Hz               |
| Hysteresis                        | $H$   | 1 ... 10 typ. 5 %          |
| Reverse polarity protected        |       | reverse polarity protected |
| Short-circuit protection          |       | pulsing                    |
| Voltage drop                      | $U_d$ | $\leq 2.8$ V               |
| Operating current                 | $I_L$ | 0 ... 200 mA               |
| Off-state current                 | $I_r$ | 0 ... 0.5 mA typ. 0.01 mA  |
| No-load supply current            | $I_0$ | $\leq 10$ mA               |
| Operating voltage display         |       | LED, green                 |
| Indication of the switching state |       | LED, yellow                |

**Ambient conditions**

|                     |                                |
|---------------------|--------------------------------|
| Ambient temperature | -25 ... 70 °C (-13 ... 158 °F) |
| Storage temperature | -25 ... 85 °C (-13 ... 185 °F) |

**Mechanical specifications**

|                    |                           |
|--------------------|---------------------------|
| Connection type    | screw terminals           |
| Core cross-section | up to 2.5 mm <sup>2</sup> |
| Housing material   | PBT                       |
| Sensing face       | PBT                       |
| Protection degree  | IP68                      |

**Compliance with standards and directives**

|                     |   |
|---------------------|---|
| Standard conformity |   |
| Standards           | EN 60947-5-2:2007<br>IEC 60947-5-2:2007 |

**Approvals and certificates**

|              |   |
|--------------|---|
| UL approval  | cULus Listed, General Purpose                     |
| CSA approval | cCSAus Listed, General Purpose                    |
| CCC approval | Certified by China Compulsory Certification (CCC) |

Release date: 2011-07-20 11:48 Date of issue: 2011-07-20 084520\_eng.xml