



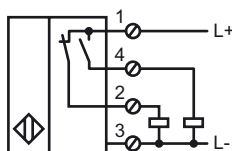
## Model Number

NJ30+U1+A2-T

## Features

- 30 mm not embeddable
- Extended temperature range

## Connection

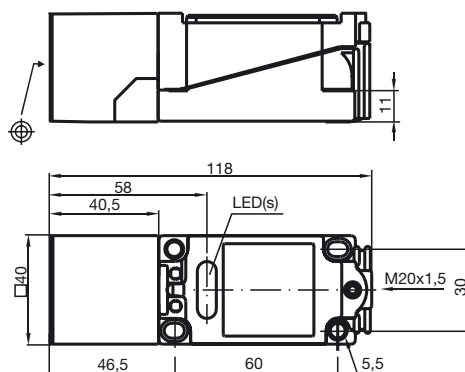


## Accessories

MHW 01

Modular mounting bracket

## Dimensions



## Technical Data

### General specifications

Switching element function		PNP	NO/NC
Rated operating distance	$s_n$	30 mm	
Installation		not embeddable	
Output polarity		DC	
Assured operating distance	$s_a$	0 ... 24.3 mm	
Reduction factor $r_{Al}$		0.4	
Reduction factor $r_{Cu}$		0.3	
Reduction factor $r_{303}$		0.85	

### Nominal ratings

Operating voltage	$U_B$	10 ... 60 V	
Switching frequency	$f$	0 ... 300 Hz	
Hysteresis	$H$	typ. 3 %	
Reverse polarity protected		reverse polarity protected	
Short-circuit protection		pulsing	
Voltage drop	$U_d$	$\leq 3$ V	
Operating current	$I_L$	0 ... 200 mA	
No-load supply current	$I_0$	$\leq 20$ mA	
Operating voltage display		LED, green	
Indication of the switching state		LED, yellow	

### Ambient conditions

Ambient temperature		-25 ... 100 °C (-13 ... 212 °F)
---------------------	--	---------------------------------

### Mechanical specifications

Connection type	screw terminals
Core cross-section	up to 2.5 mm <sup>2</sup>
Housing material	PBT
Sensing face	PBT
Protection degree	IP68

### Approvals and certificates

UL approval	cULus Listed, General Purpose
CSA approval	cCSAus Listed, General Purpose
CCC approval	Certified by China Compulsory Certification (CCC)