



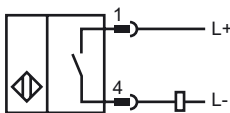
**Model Number**

NBB20-L2-Z3-V1

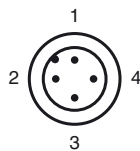
**Features**

- Basic series
- 20 mm embeddable

**Connection**



**Pinout**



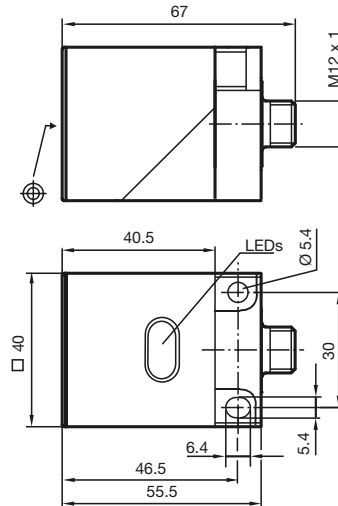
Wire colors in accordance with EN 60947-5-2

1	BN
2	WH
3	BU
4	BK

**Accessories**

- V1-G**  
Non pre-wired cable socket
- V1-W**  
Non pre-wired cable socket
- V1-W-2M-PUR**  
Cable connector
- V1-G-2M-PUR**  
Cable connector
- MHW 01**  
Mounting aid
- MH 02-L**  
Mounting aid

**Dimensions**



**Technical Data**

<b>General specifications</b>		
Switching element function		NO
Rated operating distance	$s_n$	20 mm
Installation		embeddable
Assured operating distance	$s_a$	0 ... 16.2 mm
Reduction factor $r_{Al}$		0.3
Reduction factor $r_{Cu}$		0.2
Reduction factor $r_{V2A}$		0.7
<b>Nominal ratings</b>		
Operating voltage	$U_B$	5 ... 60 V
Switching frequency	$f$	0 ... 30 Hz
Reverse polarity protection		tolerant
Short-circuit protection		yes
Operating current	$I_L$	2 ... 200 mA
Off-state current	$I_r$	0 ... 0.5 mA typ.
Indication of the switching state		LED, yellow
<b>Standard conformity</b>		
Standards		IEC / EN 60947-5-2:2004
<b>Ambient conditions</b>		
Ambient temperature		-25 ... 70 °C (248 ... 343 K)
<b>Mechanical specifications</b>		
Connection type		V1-connector
Housing material		PBT
Sensing face		PBT
Protection degree		IP67
<b>Approvals and certificates</b>		
CCC approval		Certified by China Compulsory Certification (CCC)

Release date: 2009-11-10 10:29 Date of issue: 2009-11-10 088185\_ENG.xml