



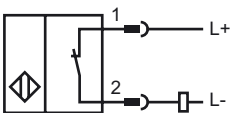
**Model Number**

NBB20-L2-Z1-V1

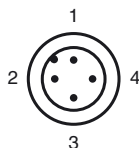
**Features**

- Basic series
- 20 mm embeddable

**Connection**



**Pinout**



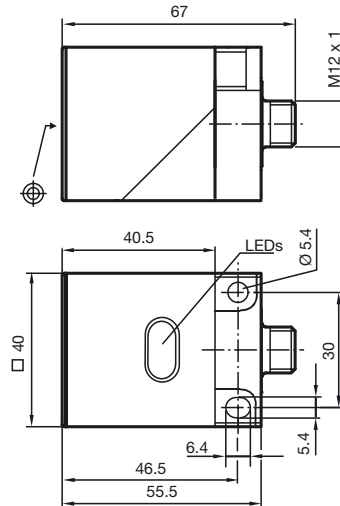
Wire colors in accordance with EN 60947-5-2

1	BN
2	WH
3	BU
4	BK

**Accessories**

- V1-G**  
Non pre-wired cable socket
- V1-W**  
Non pre-wired cable socket
- V1-W-2M-PUR**  
Cable connector
- V1-G-2M-PUR**  
Cable connector
- MH 02-L**  
Mounting aid
- MHW 01**  
Mounting aid

**Dimensions**



**Technical Data**

**General specifications**

Switching element function	NC
Rated operating distance	$s_n$ 20 mm
Installation	embeddable
Assured operating distance	$s_a$ 0 ... 16.2 mm
Reduction factor $r_{Al}$	0.3
Reduction factor $r_{Cu}$	0.2
Reduction factor $r_{V2A}$	0.7

**Nominal ratings**

Operating voltage	$U_B$ 5 ... 60 V
Switching frequency	$f$ 0 ... 30 Hz
Reverse polarity protection	tolerant
Short-circuit protection	yes
Operating current	$I_L$ 2 ... 200 mA
Off-state current	$I_r$ 0 ... 0.5 mA typ.
Indication of the switching state	LED, yellow

**Standard conformity**

Standards	IEC / EN 60947-5-2:2004
-----------	-------------------------

**Ambient conditions**

Ambient temperature	-25 ... 70 °C (248 ... 343 K)
---------------------	-------------------------------

**Mechanical specifications**

Connection type	V1-connector
Housing material	PBT
Sensing face	PBT
Protection degree	IP67

**Approvals and certificates**

CCC approval	Certified by China Compulsory Certification (CCC)
--------------	---

Release date: 2009-11-10 10:29 Date of issue: 2009-11-10 088531\_ENG.xml