



MLV13-8-H-200/32/40b/73c

Diffuse mode sensor with background suppression

MLV13-8-H-200/32/40b/73c

with 4-pin, M12 connector

CE



- ◆ Visible red light
- ◆ Pre-fault indication
- ◆ Control input for light-/dark switching
- ◆ Protection degree IP67

Release date: 2006-09-22 11:59 Date of issue: 2006-09-22 088771_ENG.xml

General specifications

Detection range	30 ... 200 mm , adjustable
Light source	LED, Red light 660 nm
Approvals	CE
Reference target	standard white, 100 mm x 100 mm
Light type	red, modulated light
Ambient light limit	10000 Lux , 7500 Lux halogen light
Grey/white difference (18%/90%)	< 10 %

Indicators/operating means

Function display	switching state: LED yellow pre-fault indicator: LED red
Operating elements	sensing range adjuster

Electrical specifications

Operating voltage	10 ... 30 V DC Reverse polarity protection
Ripple	10 %
No-load supply current I_0	≤ 45 mA
Time delay before availability t_v	≤ 20 ms

Input

Control input	Light ON: +UB Dark ON: 0 V
---------------	-------------------------------

Output

Switching type	light/dark ON, switchable
Signal output	1 PNP output, short-circuit proof, protected from reverse polarity, open collector
Switching voltage	max. 30 V DC
Switching current	max. 200 mA
Voltage drop U_d	≤ 2.5 V DC
Switching frequency f	≤ 500 Hz
Response time	≤ 1 ms

Standard conformity

Standards	EN 60947-5-2
-----------	--------------

Ambient conditions

Ambient temperature	-25 ... 55 °C (248 ... 328 K)
Storage temperature	-40 ... 70 °C (233 ... 343 K)

Mechanical specifications

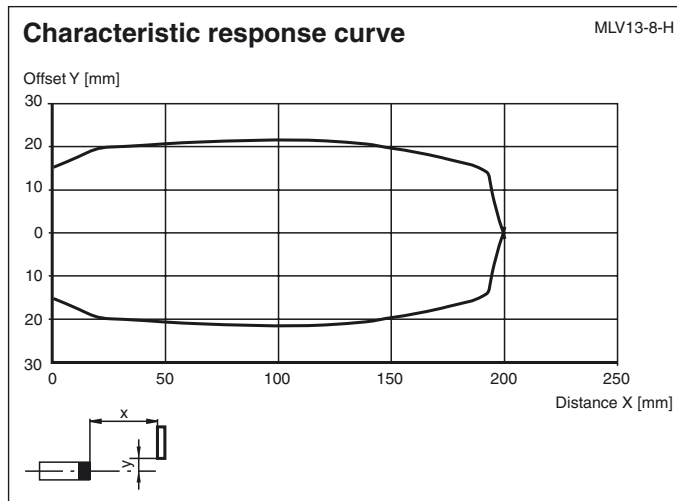
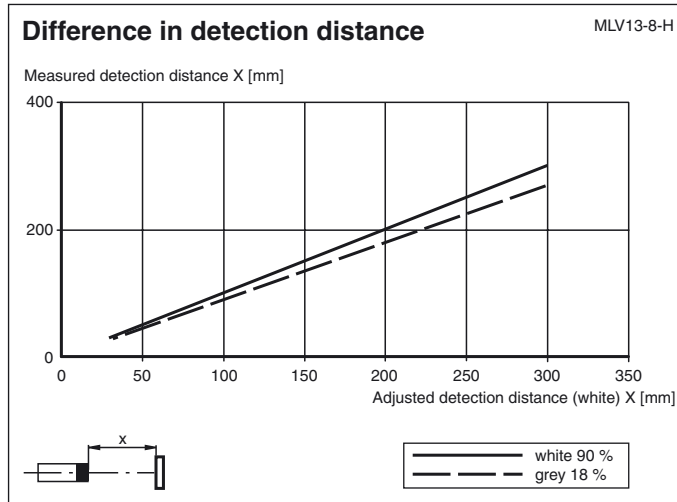
Protection degree	IP67
Connection	M12 connector, 4-pin
Material	
Housing	ABS
Optical face	scratch resistant plastic pane
Mass	25 g

Release date: 2006-09-22 11:59 Date of issue: 2006-09-22 088771_ENG.xml

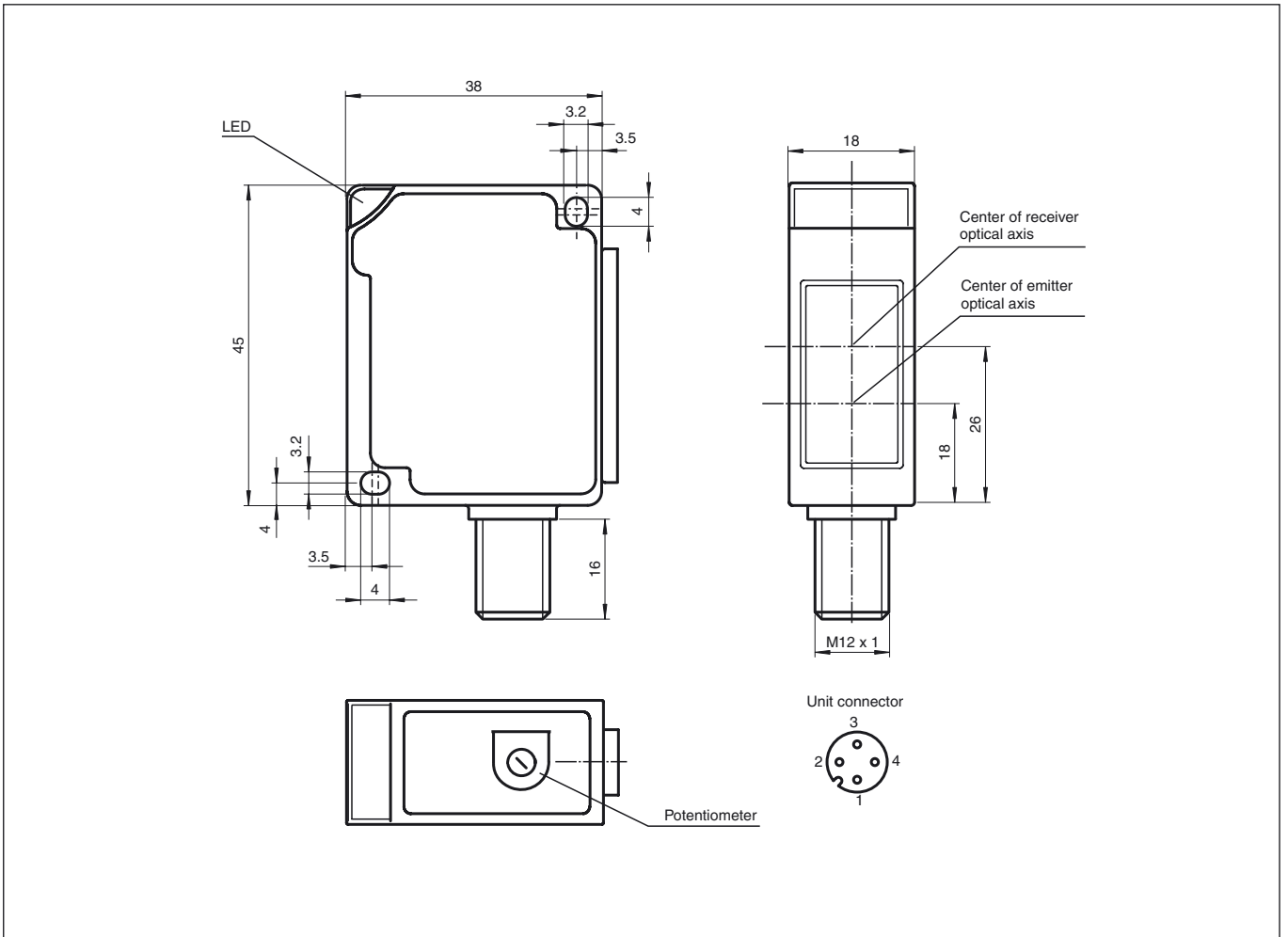


MLV13-8-H-200/32/40b/73c

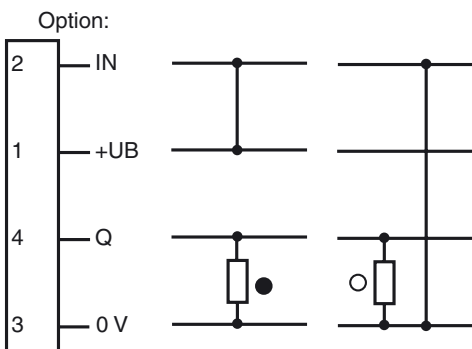
Curves/Diagrams



Dimensions



Electrical connection



○ = light on, ● = dark on