



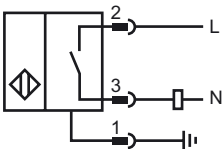
**Model Number**

NJ30+U4+W-BHMSP3-N.O.

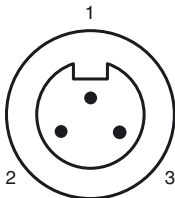
**Features**

- 30 mm not embeddable

**Connection**



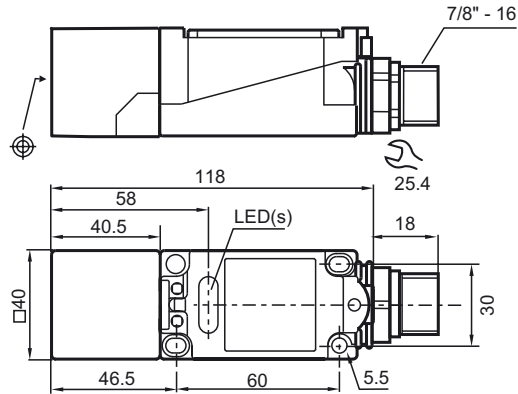
**Pinout**



Wire colors

1	GN
2	BK
3	WH

**Dimensions**



**Technical Data**

**General specifications**

Switching element function	AC	NO
Rated operating distance	$s_n$	30 mm
Installation		not embeddable
Output polarity		AC
Assured operating distance	$s_a$	0 ... 24.3 mm
Reduction factor $r_{Al}$		0.45
Reduction factor $r_{Cu}$		0.4
Reduction factor $r_{V2A}$		0.8

**Nominal ratings**

Operating voltage	$U_B$	20 ... 253 V <sup>1)</sup>
Switching frequency	$f$	0 ... 20 Hz
Hysteresis	$H$	1 ... 10 typ. 5 %
Voltage drop	$U_d$	≤ 12 V
Momentary current (20 ms, 0.1 Hz)		0 ... 3000 mA
Operating current	$I_L$	8 ... 500 mA
Off-state current	$I_r$	0.5 ... 1.95 mA typ. 1.2 mA
Operating voltage display		LED, green
Indication of the switching state		LED, yellow

**Ambient conditions**

Ambient temperature	-25 ... 70 °C (-13 ... 158 °F)
Storage temperature	-25 ... 85 °C (-13 ... 185 °F)

**Mechanical specifications**

Connection type	Quick disconnect type BHMSP3
Housing material	Crastin (PBT) housing/epoxy-filled metal base
Sensing face	PBT
Protection degree	IP68
Note	<sup>1)</sup> In the temperature range below 0 °C, permissible operating voltage $U_b$ 80...253 V

**Compliance with standards and directives**

Standard conformity	
Standards	EN 60947-5-2:2007 IEC 60947-5-2:2007

**Approvals and certificates**

UL approval	cULus Listed, General Purpose
CSA approval	cCSAus Listed, General Purpose
CCC approval	Certified by China Compulsory Certification (CCC)

Release date: 2010-08-20 15:31 Date of issue: 2010-08-20 090060\_ENG.xml