

OBT200-L2F-B3-V1

Diffuse mode sensor

OBT200-L2F-B3-V1

CE



- ◆ Sensor for the detection of round, strongly reflecting objects.
- ◆ Suitable for the detection of gaps between glasses or PET bottles
- ◆ Objects arranged in a row can be detected without interruption of the signal
- ◆ The gap width can be adjusted via a potentiometer (Range 5 ... 20 mm)
- ◆ Optimum separation between the sensor and the bottles, 10 ... 30 mm.
- ◆ Visible red light
- ◆ Pre-fault indication
- ◆ Protection degree IP67
- ◆ NC/NO behavior programmable
- ◆ All materials approved for food industry applications

Release date: 2007-06-19 16:44 Date of issue: 2007-06-19 104732_ENG.xml

General specifications

Sensing range	1 ... 300 mm (on white 90%) 10 ... 30 mm (on bottles)
Adjustment range	5 ... 20 mm (gap width between bottles)
Reference target	PET bottle
Light type	Red light 660 nm
Ambient light limit	≤ 10000 Lux sun light ≤ 7500 Lux halogen light

Electrical specifications

Time delay before availability t_v	≤ 1 s
--------------------------------------	-------

Output

Response time	< 5 ms
---------------	--------

Standard conformity

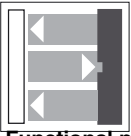
Standards	EN 60947-5-2
-----------	--------------

Ambient conditions

Ambient temperature	0 ... 50 °C (273 ... 323 K)
Storage temperature	-40 ... 70 °C (233 ... 343 K)

Mechanical specifications

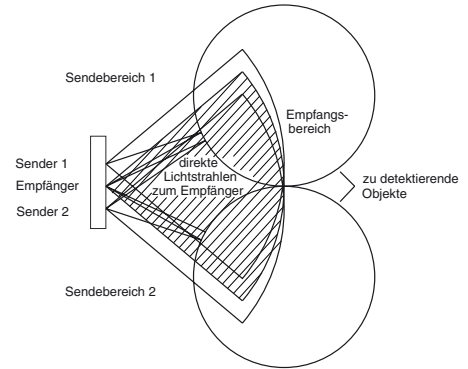
Protection degree	IP67 according to EN 60529
Connection	V1 connector (M12 x 1), 4-pin
Material	
Housing	PBT
Optical face	scratch resistant plastic pane
Mass	60 g



OBT200-L2F-B3-V1

Functional principle

The sensor records the distance between concave or convex objects that are highly reflective (for example bottles). The sensor responds if the distance between the objects exceeds a previously selected value. The value can be adjusted with the potentiometer in increments of 5 ... 20 mm.



Programming

Address	Preset to 00, can be changed via bus master or programming devices
IO code	1
ID code	F

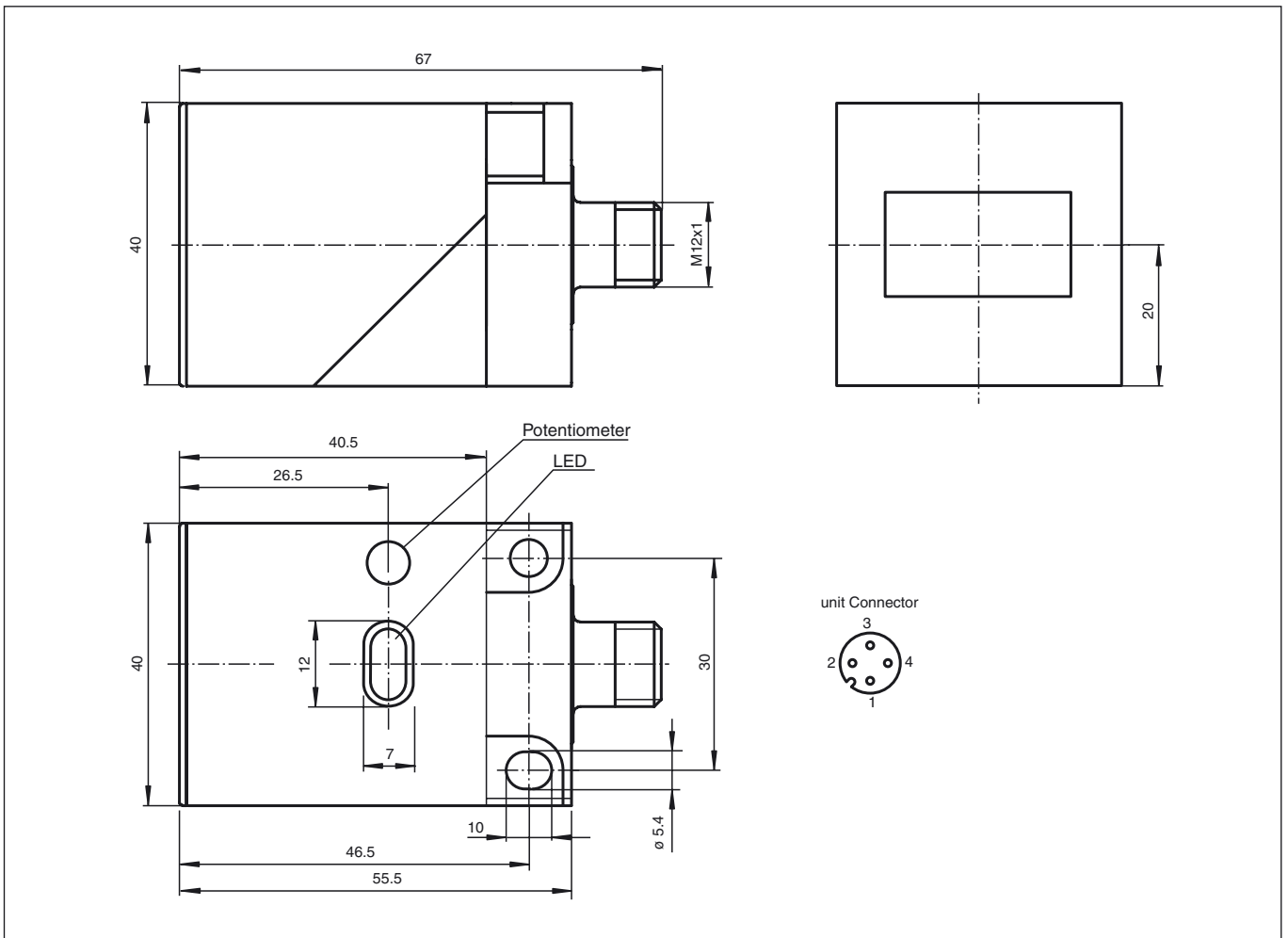
Data bit

Bit	Function
D0	Switching state
D1	not used
D2	Ready for operation
D3	not used

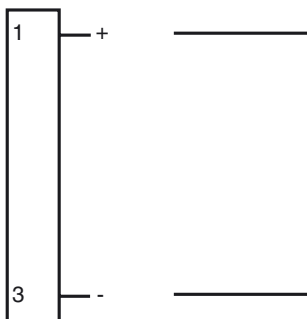
Parameter bit

Bit	Function
P0	Pulse extension
P1	Light / dark on selectable
P2	not used
P3	not used

Dimensions



Electrical connection



○ = light on, ● = dark on