



**Model Number**

**UB4000-30GM-H3-V1-Y105212**

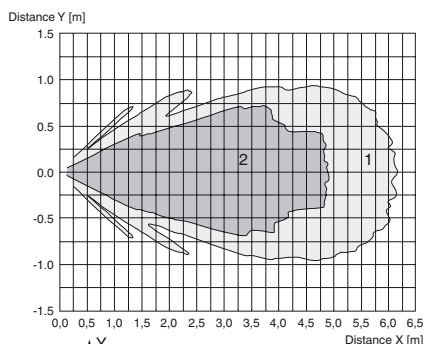
Single head system

**Features**

- **Separate evaluation**
- **Direct detection mode**

**Curves**

**Characteristic response curve**



Curve 1: flat surface 100 mm x 100 mm  
Curve 2: round bar, Ø 25 mm

**Technical data**

**General specifications**

Sensing range	500 ... 4000 mm
Unusable area	0 ... 500 mm
Standard target plate	100 mm x 100 mm
Transducer frequency	approx. 85 kHz

**Electrical specifications**

Operating voltage $U_B$	10 ... 30 V DC , ripple 10 % <sub>SS</sub>
No-load supply current $I_0$	≤ 30 mA

**Input**

Input type	1 pulse input for transmitter pulse, activation through open collector npn < 1 V: emitter active, > 4 V: emitter inactive
Pulse length	40 ... 500 μs
Pause length	≥ 50 x pulse length

**Output**

Output type	1 pulse output for echo propagation time, high-active, short-circuit proof
Signal level	level 0: ≤ 1 V; ≤ 0,1 mA

Temperature influence	the echo propagation time: 0.17 % / K
-----------------------	---------------------------------------

**Standard conformity**

Standards	EN 60947-5-2
-----------	--------------

**Ambient conditions**

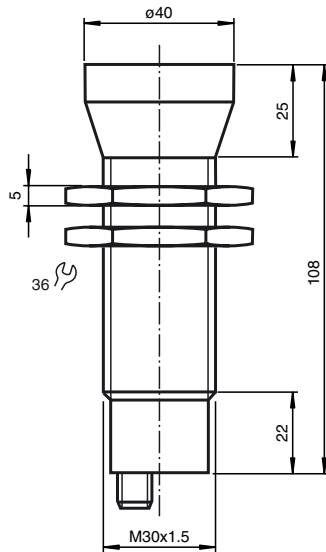
Ambient temperature	-25 ... 70 °C (248 ... 343 K)
Storage temperature	-40 ... 85 °C (233 ... 358 K)

**Mechanical specifications**

Protection degree	IP65
Connection	V1 connector (M12 x 1), 4-pin
Material	
Housing	brass, nickel-plated, plastic components PBT
Transducer	epoxy resin/hollow glass sphere mixture; polyurethane foam
Mass	327 g

Release date: 2009-11-26 15:52 Date of issue: 2009-11-27 105212\_ENG.xml

**Dimensions**

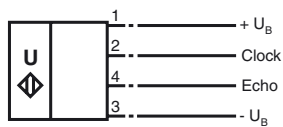


**Accessories**

- BF 30**  
Mounting flange
- BF 5-30**  
Mounting flange
- UH3-KHD2-4E5**  
Evaluation unit
- UH3-KHD2-4I**  
Evaluation unit
- UH3-T1-KT**  
Evaluation unit

**Electrical Connection**

Standard symbol/Connection:



2 = Emitter pulse input  
4 = Echo propagation time output

**Pinout**

**Connector V1**



**Description**

The sensing range is determined in the downstream evaluation electronics (e. g. the units UH3-KHD2-4E5, UH3-KHD2-4I or UH3-T1-KT). PLC modules or other existing evaluation units can also be substituted for these units offered by Pepperl+Fuchs. The sensing range is determined on the basis of the echo time of a transmitted pulse in pulse-echo mode.

Release date: 2009-11-26 15:52 Date of issue: 2009-11-27 105212\_ENG.xml