



Model Number

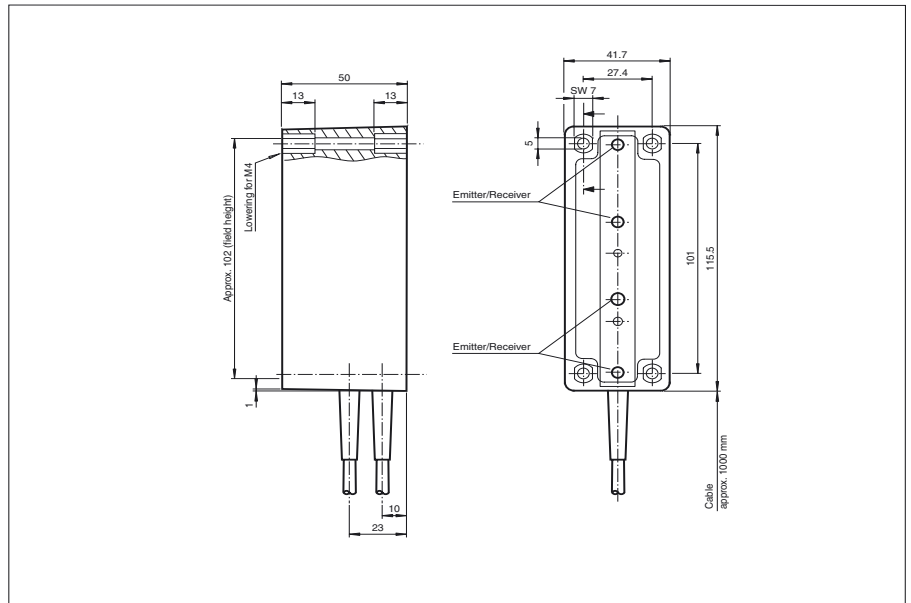
PR4-150-K-2-W-F

Light grid
with fixed cable

Features

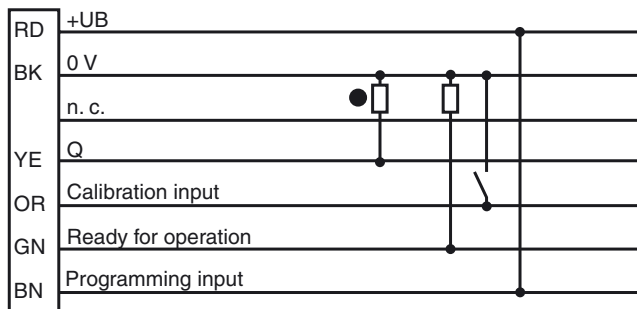
- Detection range up to 1500 mm
- High-resolution light grid
- Suitable for recording of transparent objects
- Light grid with 4 beams, crossed or parallel
- Smallest obstacle size 15 mm
- Automatic switching threshold adaptation eliminates soiling effects

Dimensions

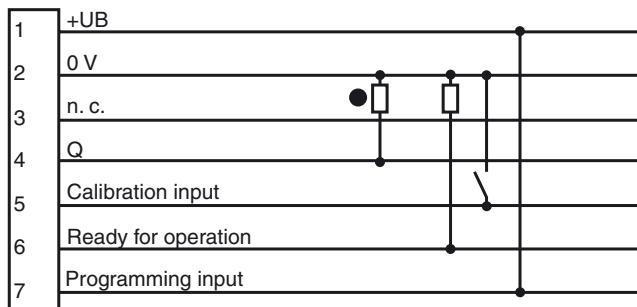


Electrical connection

Cable version



Connector version



○ = Light on
● = Dark on

Technical data

General specifications

Effective detection range	500 ... 1500 mm
Threshold detection range	1500 mm
Light source	IREL
Approvals	CE
Field height	102 mm
Obstacle size	15 mm
Beam spacing	33 mm
Number of beams	4
Sensing range	0 ... 1500 mm
Light type	infrared, modulated light
Angle of divergence	± 8 °
Ambient light limit	20000 Lux

Indicators/operating means

Function display	LED yellow, functional readiness, LED red, switching state, lights up when the beam field is interrupted
------------------	--

Electrical specifications

Operating voltage	24 ... 28 V DC
Ripple	5 %

Input

Function input	Automatic calibration according to application of the power supply, duration approx. 5 s
----------------	--

Output

Switching type	dark ON
Signal output	1 pnp, short-circuit proof, open collector
Switching voltage	max. 28 V DC
Switching current	100 mA
Switching frequency f	100 Hz
Response time	2 ms

Standard conformity

Standards	EN 60947-5-2
-----------	--------------

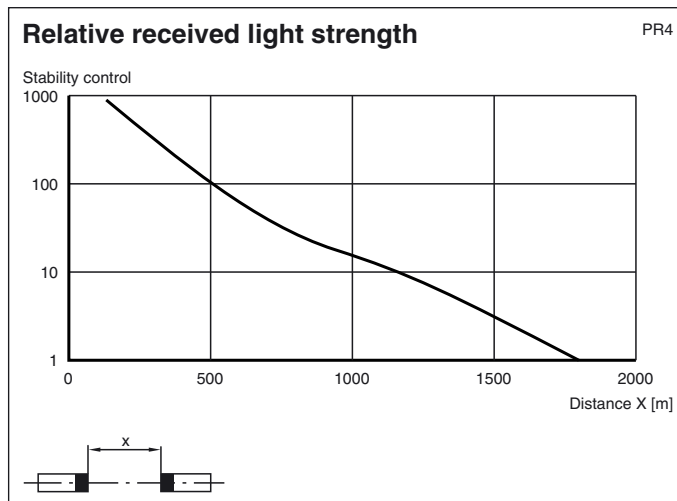
Ambient conditions

Ambient temperature	-15 ... 50 °C (258 ... 323 K)
Storage temperature	-20 ... 75 °C (253 ... 348 K)

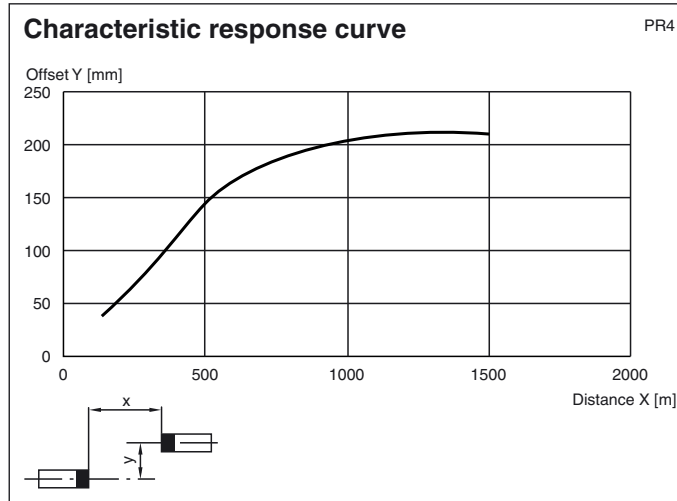
Mechanical specifications

Protection degree	IP67
Connection	2.5 m cable
Material	
Housing	ABS
Optical face	PMMA
Mass	120 g (device)

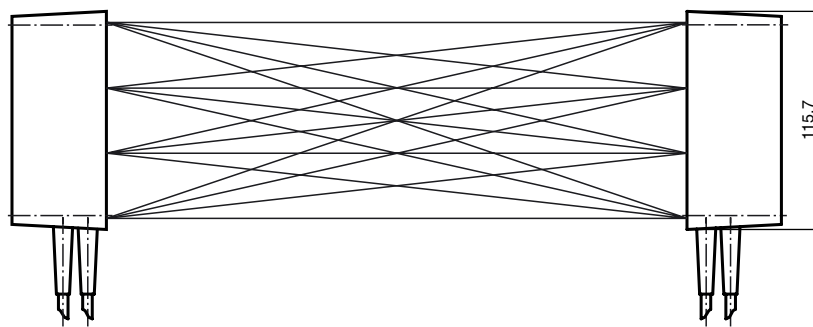
Curves/Diagrams



Release date: 2007-09-24 09:54 Date of issue: 2007-09-24 11:05:41 ENG.xml



Course of the beams



Accessories

Model number

Cable connector for light grid PR: V18-PR-ASK-VIS
 Interconnecting cable for light grid PR: V18-PR-Verb-VIS