



**Model Number**

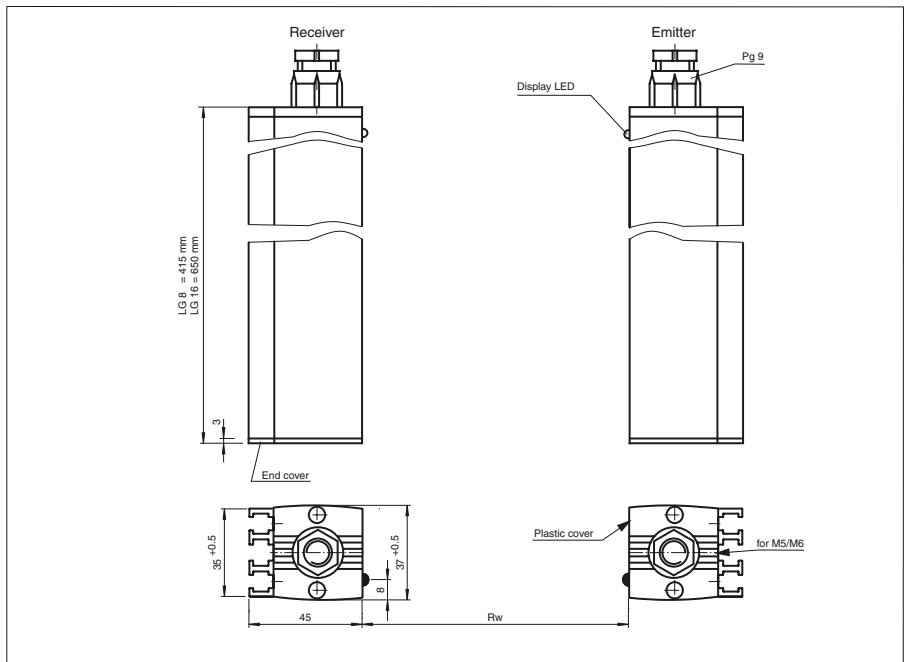
**LG8-G-150-K-2-W**

Light grid  
with terminal compartment

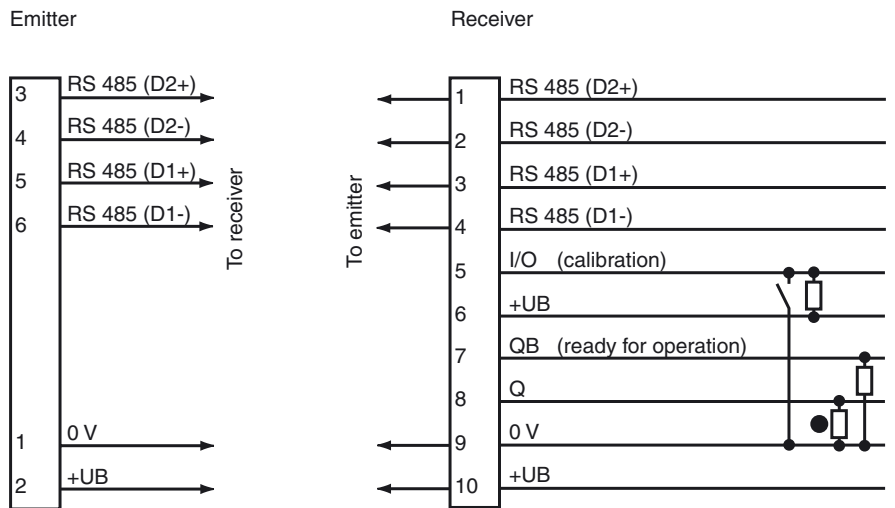
**Features**

- High-resolution light grid
- Suited for recording of transparent objects
- Light grid with 8 beams, crossed or parallel
- Smallest obstacle size 14 mm
- Automatic switching threshold adaptation eliminates soiling effects

**Dimensions**



**Electrical connection**



- = Light on
- = Dark on

Release date: 2011-09-20 15:51 Date of issue: 2011-09-20 113271\_eng.xml

**Technical data****General specifications**

Effective detection range	800 ... 1500 mm
Threshold detection range	1500 mm
Sensing range	0 ... 1500 mm
Light source	IRED
Light type	infrared
Field height	235 mm
Target size	14 mm
Beam spacing	30 mm
Number of beams	8
Angle of divergence	emitter $\pm 8^\circ$ , receiver $\pm 24^\circ$
Ambient light limit	50000 Lux

**Indicators/operating means**

Function display	LED yellow, functional readiness, LED red, switching state, lights up when the beam field is interrupted
------------------	--

**Electrical specifications**

Operating voltage	$U_B$	24 ... 28 V DC
Ripple		5 %

**Input**

Function input	Automatic calibration according to application of the power supply, duration approx. 5 s
----------------	--

**Output**

Switching type	dark on	
Signal output	1 PNP, short-circuit protected, open collector	
Switching voltage	max. 28 V DC	
Switching current	100 mA	
Switching frequency	f	25 Hz
Response time	10 ms	

**Standard conformity**

Standards	EN 60947-5-2
-----------	--------------

**Ambient conditions**

Ambient temperature	-15 ... 50 °C (5 ... 122 °F)
Storage temperature	-20 ... 70 °C (-4 ... 158 °F)

**Mechanical specifications**

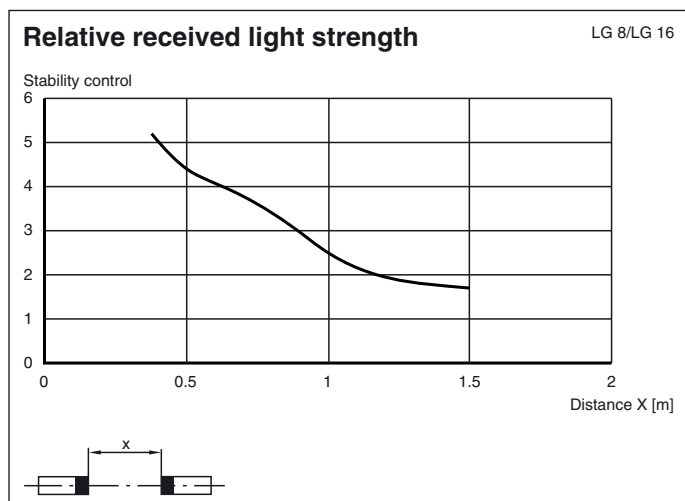
Protection degree	IP54
Connection	PG9 terminal compartment with screw terminals
Material	
Housing	aluminum
Optical face	PMMA
Mass	emitter 550 g, receiver 600 g

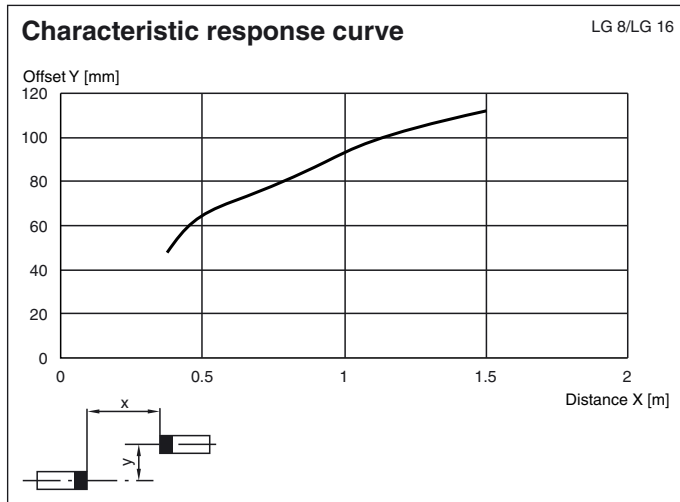
**Compliance with standards and directives**

Directive conformity	EMC Directive 2004/108/EC
Standard conformity	
Product standard	EN 60947-5-2:2007 IEC 60947-5-2:2007

**Approvals and certificates**

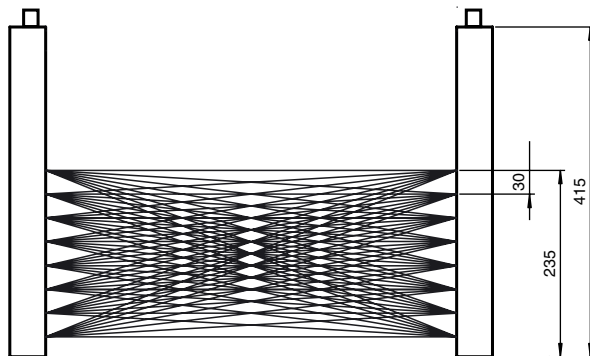
CCC approval	Products with a maximum operating voltage of $\leq 36$ V do not bear a CCC marking because they do not require approval.
--------------	--

**Curves/Diagrams**



## Course of the beam

LG8-G



LG16-G

