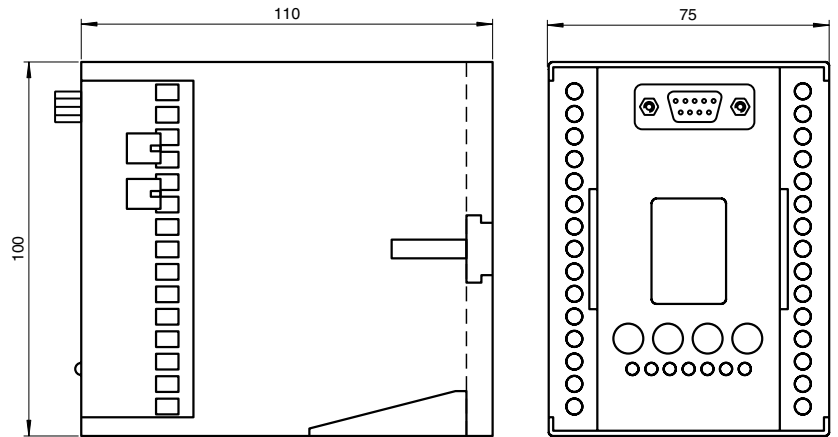
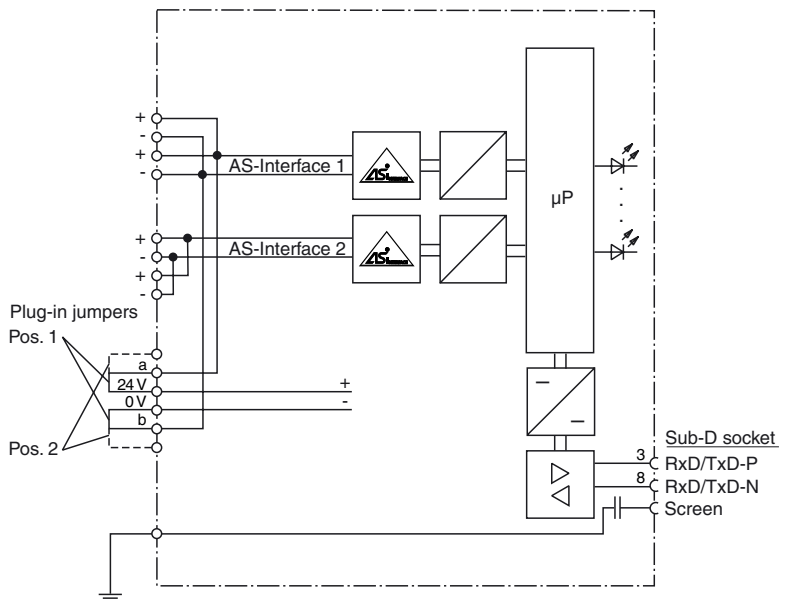




Dimensions



Electrical connection



Using plug-in jumpers, it is possible to choose whether the master shall be supplied by AS-Interface-1 circuit (pos.1) or via an own power pade (PELV) (pos. 2).

Model number

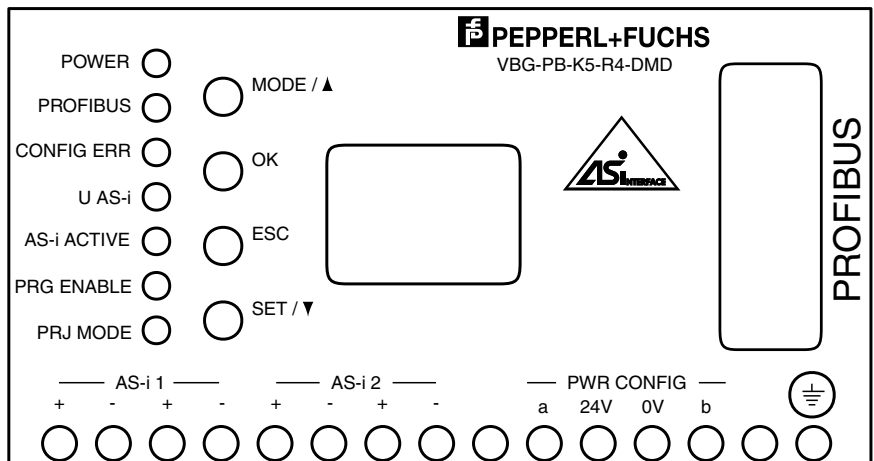
VBG-PB-K5-R4-DMD

PROFIBUS Gateway, double master for 2 AS-Interface networks

Features

- Gateway according to AS-Interface specification 2.1 for up to 62 units
- Connection to PROFIBUS DP
- 2 AS-Interface networks
- Acyclic communication in accordance with PROFIBUS DP V1
- Commissioning, without PROFIBUS communication
- All AS-Interface functions possible via PROFIBUS
- Fault diagnosis via LEDs and grafic display
- Easy commissioning by graphic display
- AS-Interface monitor or extended AS-Interface diagnostic read via display

Indicating / Operating means



Release date: 2010-06-14 15:38 Date of issue: 2010-06-14 11:4795_ENG.xml

Technical data**General specifications**

AS-Interface specification	V2.11
PLC-Functionality	none
Diagnostics function	Extended function via display

Indicators/operating means

Display	Graphical LC display for addressing and error messages
LED BUS ACTIVE	PROFIBUS master detected; LED green
LED AS-i ACTIVE	AS-Interface operation normal; LED green
LED CONFIG ERR	configuration error; LED red
LED PRG ENABLE	autom. programming; LED green
LED POWER	voltage ON; LED green
LED PRJ MODE	projecting mode active; LED yellow
LED U AS-i	AS-Interface voltage; LED green
Switch SET	Selection and setting of a slave address
OK button	Mode selection traditional-graphical/confirmation
Button MODE	Mode selection PRJ-operation/save configuration/cursor
ESC button	Mode selection traditional-graphical/cancel

Electrical specifications

Insulation voltage	U_i	≥ 500 V
Rated operational voltage	U_e	from AS-Interface
Rated operational current	I_e	≤ 180 mA from AS-Interface

Interface

Interface type	RS 485
Protocol	PROFIBUS
Transfer rate	9.6; 19.2; 44.44; 93.95; 187.5; 500; 1500 kBit/s self-synchronizing

Connection

PROFIBUS	RS 485 interface
AS-Interface	screw terminals

Ambient conditions

Ambient temperature	0 ... 55 °C (32 ... 131 °F)
Storage temperature	-15 ... 75 °C (5 ... 167 °F)

Mechanical specifications

Protection degree	IP40 (housing), IP20 (terminals)
Mass	420 g
Construction type	Low profile housing , plastic

Compliance with standards and directives

Standard conformity	
Protection degree	DIN 40050

Function

The VBG-PB-K5-R4-DMD is a PROFIBUS gateway with 2 AS-Interface masters in accordance with AS-Interface specification 2.11 in IP20. The design is especially suitable for use in the switch cabinet.

The VBG-PB-K5-R4-DMD is a modular PROFIBUS slave. This means that the user can use the PROFIBUS configuration tool to specify what data will be transferred via the PROFIBUS. This makes it possible to adjust the amount of data to be transferred via PROFIBUS.

In addition, this gateway supports acyclical communication of the PROFIBUS DP V1. These acyclical services can be used to access a mailbox in the gateway that provide access to all the data that are made available by the AS-Interface/PROFIBUS gateway.

A push button can be used to accept the target configuration and to adjust the PROFIBUS address and baud rate. There are 7 LEDs on the front panel, showing the current status of the AS-Interface line.

In the case of the AS-Interface gateway with graphical display, the AS-Interface circuit can be placed in service and the test of the connected periphery can be kept entirely separate from the commissioning of the PROFIBUS and the programming. On-site operation with the aid of the graphical display and 4 push buttons makes it possible to show all functions on the display that are covered by the AS-i Control Tools software for other AS-Interface masters.

Accessories**VAZ-SW-ACT32**

AS-Interface software

VAZ-PB-SIM

PROFIBUS master simulator

VAZ-PB-CABLE

Profibus cable