



**Model Number**

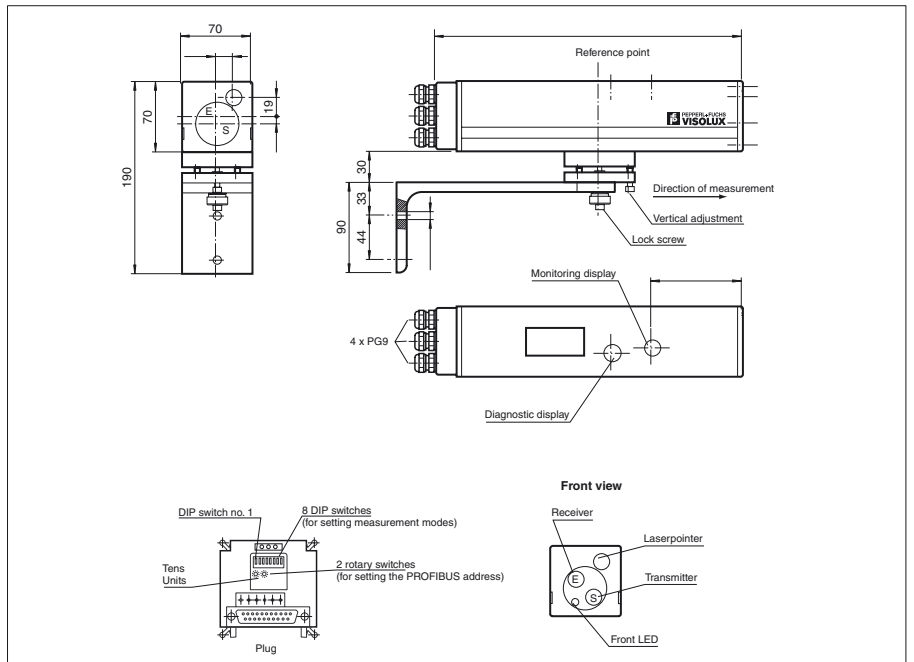
**EDM240-P**

Distance measurement device with terminal compartment

**Features**

- PROFIBUS interface
- Pulse Ranging Technology (PRT)
- Laser class 1, eyesafe
- Mounting bracket included in delivery

**Dimensions**



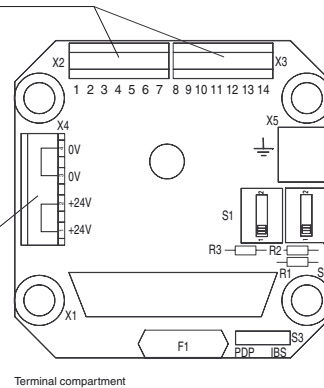
**Electrical connection**

Terminals X2 and X3

Pin	Function
1	n.c.
2	n.c.
3	n.c.
4	n.c.
5	n.c.
6	n.c.
7	n.c.
8	P (B)
9	N (A)
10	n.c.
11	n.c.
12	P (B)
13	N (A)
14	GND (isol.)

Terminal X4 (power supply)

Pin	Function
1	+24 V DC, potential free
2	+24 V DC, potential free
3	GND, potential free
4	GND, potential free



Release date: 2010-07-09 09:08 Date of issue: 2010-07-09 114831\_ENG.xml

Subject to modifications without notice

Pepperl+Fuchs Group  
www.pepperl-fuchs.com

USA: +1 330 486 0001  
fa-info@us.pepperl-fuchs.com

Germany: +49 621 776-4411  
fa-info@pepperl-fuchs.com

Copyright Pepperl+Fuchs  
Singapore: +65 6779 9091  
fa-info@sg.pepperl-fuchs.com

**Technical data****General specifications**

Measurement range	0.5 ... 240 m
Reference target	Foil reflector 1000 mm x 1000 mm
Light source	laser diode
Light type	880 nm IR light
Light spot representation	approx. 1 m x 1 m at 240 m
Approvals	CE
Laser class	1 EN 60825-1
Measuring method	Time of flight measurement
Max. Motion velocity	10 m/s
Alignment aid	Laserpointer , flashes for approx. 1 minute after the beam has been broken
Absolute accuracy	± 6 mm (0,5 m ... < 3.2 m) ; ± 5 mm (> 3.2 m)
Beam divergence	≤ 2.5 mrad
Angle of divergence	emitter < 4 mrad , receiver 6 mrad
Resolution	0.1 mm

**Indicators/operating means**

Diagnostics display	LED green central: PROFIBUS successfull installed
Function display	LED red: Target (reflector) not detected , LED green: Target (reflector) detected
DIP-switch	Setting the measuring mode

**Electrical specifications**

Operating voltage	$U_B$	24 V DC ± 25 % , galvanically isolated
Ripple		10 %
No-load supply current	$I_0$	0.5 A
Data rate		max. 1.5 MBit/s
Protection class		III (operating voltage 50 V)

**Interface**

Interface type	PROFIBUS DP acc. to EN 50170
----------------	------------------------------

**Output**

Repeat accuracy	R	± 0.5 mm (1 Sigma), adjustable
-----------------	---	--------------------------------

**Standard conformity**

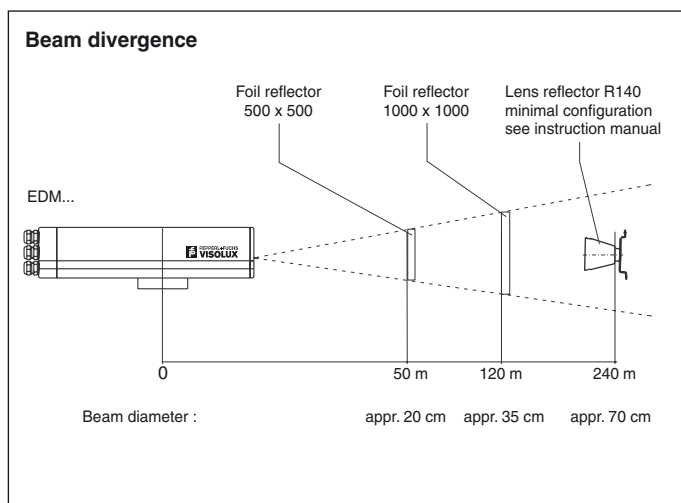
Standards	EN 60947-5-2
Standards 2	EN 50082-2
Standards 3	EN 50081-1

**Ambient conditions**

Ambient temperature	10 ... 40 °C (50 ... 104 °F)
Storage temperature	-20 ... 75 °C (-4 ... 167 °F)
Relative humidity	95 %

**Mechanical specifications**

Protection degree	IP65 according to DIN 40050
Connection	screw terminals
Material	
Housing	black anodized aluminium
Optical face	glass pane
Mass	3 kg (incl. mounting bracket)

**Curves/Diagrams****Accessories****VERSTELLUNG EDM50,120,240**

Mounting aid

**HALTEWINKEL R140 EDM**

Mounting accessory, distance measuring devices Series VDM

**Linsenreflektor 140**

Reflector

