



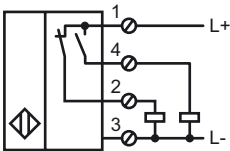
### Model Number

NJ30+U1M+A2-T

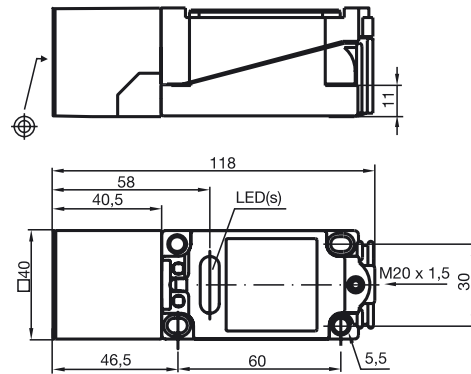
### Features

- Temperature range  
-25 ... 100 °C
- 30 mm not embeddable
- Metric cable gland M20 x 1.5

### Connection



### Dimensions



### Technical Data

#### General specifications

Switching element function	PNP	Antivalent
Rated operating distance	$s_n$	30 mm
Installation		not embeddable
Output polarity		DC
Assured operating distance	$s_a$	0 ... 24.3 mm
Reduction factor $r_{Al}$		0.4
Reduction factor $r_{Cu}$		0.3
Reduction factor $r_{V2A}$		0.85

#### Nominal ratings

Operating voltage	$U_B$	10 ... 60 V
Switching frequency	$f$	0 ... 300 Hz
Hysteresis	$H$	typ. 3 %
Reverse polarity protection		protected against reverse polarity
Short-circuit protection		pulsing
Voltage drop	$U_d$	$\leq 3$ V
Operating current	$I_L$	0 ... 200 mA
No-load supply current	$I_0$	$\leq 20$ mA
Operating voltage display		LED, green
Indication of the switching state		LED, yellow

#### Standard conformity

Standards	IEC / EN 60947-5-2:2004
-----------	-------------------------

#### Ambient conditions

Ambient temperature	-25 ... 100 °C (248 ... 373 K)
---------------------	--------------------------------

#### Mechanical specifications

Connection type	terminal compartment
Core cross-section	up to 2.5 mm <sup>2</sup>
Housing material	PBT
Sensing face	PBT
Protection degree	IP68