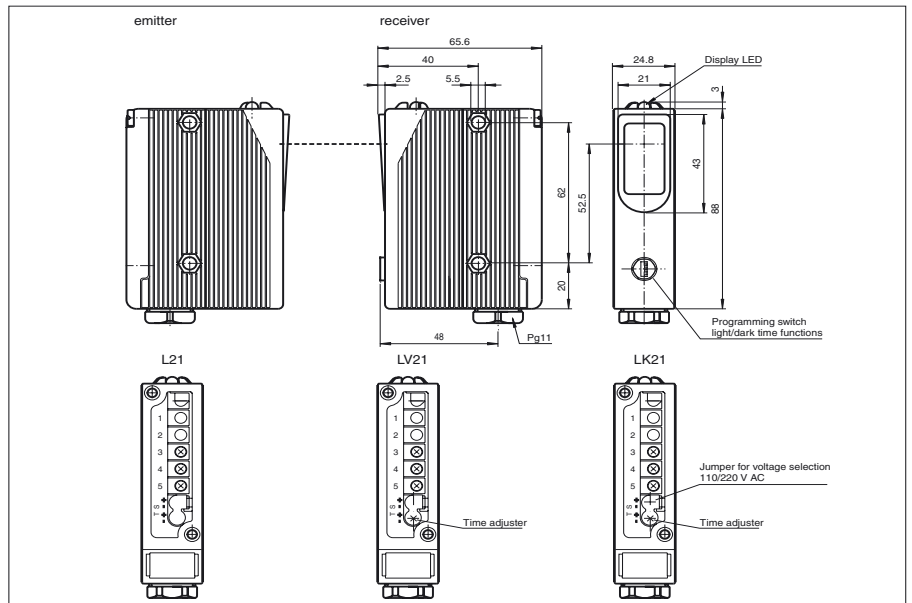




Dimensions



Model Number

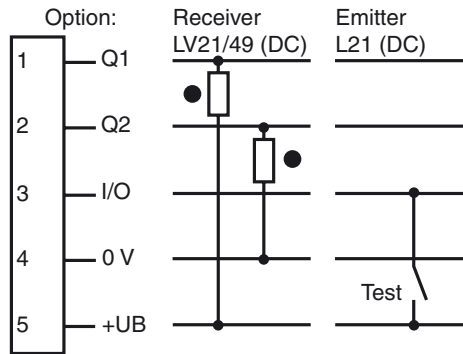
L21/LV21/49 10-30 VDC

Thru-beam sensor
with terminal compartment

Features

- Detection range up to 16 m
- Sturdy plastic housing
- Optical surface made of scratch-resistant glass
- Pre-fault indication
- Transistor output
- Operating voltage DC

Electrical connection



○ = Light on
● = Dark on

Technical data

General specifications

Effective detection range	0 ... 8000 mm
Threshold detection range	16 m
Light source	IREL
Approvals	CE
Obstacle size	20 mm
Light type	infrared, modulated light
Diameter of the light spot	approx. 250 mm at 8000 mm detection range
Angle of divergence	1.6 °
Ambient light limit	100000 Lux

Indicators/operating means

Function display	LED, red/green, red when falling short of the stability control, green when stability control ≥ 3
Operating elements	Programming switch for light/dark ON, timer functions, time adjuster

Electrical specifications

Operating voltage	10 ... 30 V DC
Ripple	10 %
No-load supply current	I_0 40 mA

Input

Test input	Emitter deactivation
------------	----------------------

Output

Switching type	Light/dark ON, switchable
Signal output	1 pnp and 1 npn short-circuit proof, protected against reverse polarity
Switching voltage	30 V DC
Switching current	max. 200 mA
Switching frequency	f 35 Hz
Response time	10 ms
Timer function	GAN, GAB, IAB, programmable, adjustment range 0.1 ... 10 s

Standard conformity

Standards	EN 60947-5-2
-----------	--------------

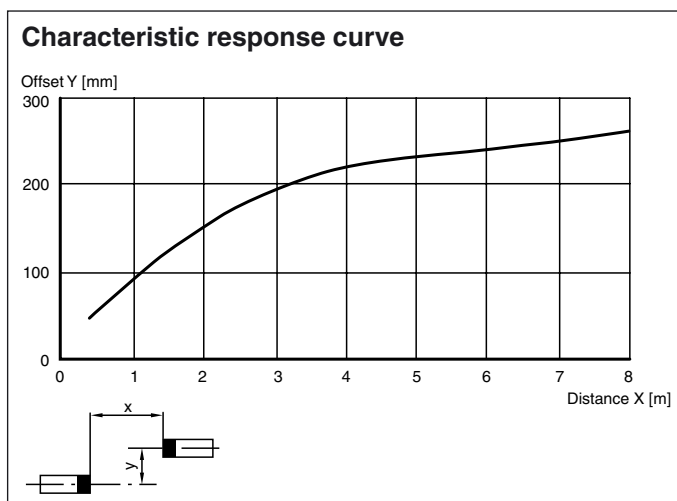
Ambient conditions

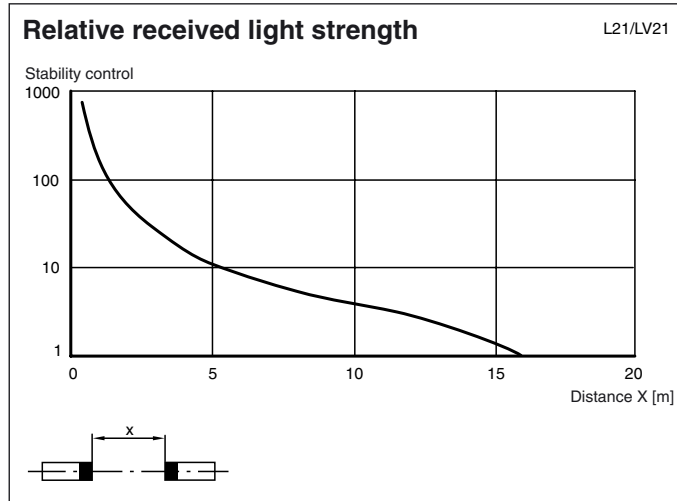
Ambient temperature	-20 ... 60 °C (253 ... 333 K)
Storage temperature	-20 ... 75 °C (253 ... 348 K)

Mechanical specifications

Protection degree	IP65
Connection	terminal compartment
Material	
Housing	Terluran GV15
Optical face	glass
Mass	200 g (device)

Curves/Diagrams





Note

Should not be used for new designs!