



Model Number

MVT-HH12

Handheld read/write device
for IDENT-M System V

Features

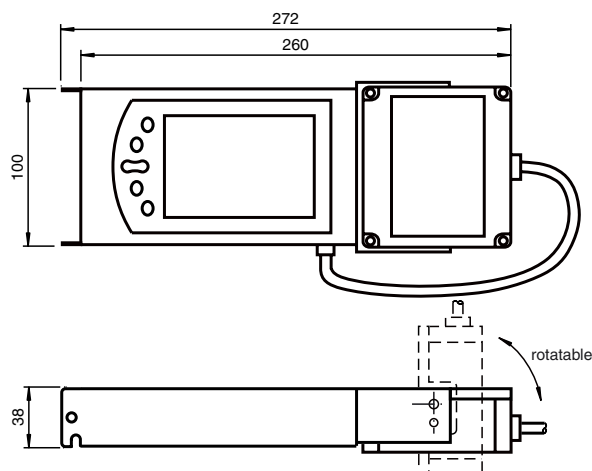
- Portable read / write device
- Reading and writing of data carriers
- Large display with touchscreen
- Operation via PALM
- Sturdy metallic housing
- 2 LEDs as function indicators
- Battery operation
- Charger included in delivery package
- Software and strap inclusive

Function

The MVT-HH4 hand read/write device consists of a read/write head and a handheld unit with operating software. It is designed for mobile, on-site data acquisition.

The handheld unit controls the operating function of the device. The operating routine provides all essential standard functions and offers a menu prompt in German or English.

Dimensions



Technical data

General specifications

Operating frequency	2.45 GHz \pm 200 kHz
Emitted power	1.54 mW (1.9 dBm)
Reading distance	0 ... 100 mm
Writing distance	0 ... 100 mm

Indicators/operating means

Display	LC display, monochrome
Keyboard	Touchscreen
LED Tx	communication active
LED OK	Power on

Electrical specifications

Supply	NIMH-Akku battery charger included in the scope of delivery
--------	--

Ambient conditions

Ambient temperature	5 ... 40 °C (278 ... 313 K)
Storage temperature	20 ... 40 °C (293 ... 313 K)
Climatic conditions	air humidity max. 20 ... 90 %

Mechanical specifications

Mass	1370 g
Dimensions	100 mm x 272 mm x 38 mm (W x H x D) (without antenna cable)
Construction type	handheld device