



### Model Number

RVI58N-032YR31N-Y0100

### Features

- Industrial standard housing Ø58 mm
- 100 ppr
- Servo flange
- 10 V ... 30 V with short-circuit proof push-pull output
- SAP No. 23405

### Description

Compatibility says it all for this incremental rotary encoder.

Three output channels are fitted for this incremental rotary encoder. It can thus be used universally in many different applications.

The pulse disk is designed in glass.

This incremental rotary encoder is available in servo flange design with a shaft 6 mm in diameter x 10 mm.

The electrical connection is made with a 0.8 m cable connector with Harting pins.

## Technical data

### General specifications

Pulse count 100

### Functional safety related parameters

MTTF<sub>d</sub> 140 a

Mission Time (T<sub>M</sub>) 20 a

L<sub>10h</sub> 70 E+9 at 6000 rpm

Diagnostic Coverage (DC) 0 %

### Output

Output type push-pull, incremental

Voltage drop U<sub>d</sub> < 3 V

Operating voltage 10 ... 30 V DC

No-load supply current max. 50 mA

Load current max. per channel 40 mA, short-circuit proof (not with U<sub>b</sub>), reverse polarity protected

Output frequency max. 200 kHz

Rise time 400 ns

### Connection

Cable Ø5 mm, 5 x 0.14 mm<sup>2</sup>, 0.8 m with Harting pins (No. 0915000612x)

### Standard conformity

Protection degree DIN EN 60529, IP65

Climatic testing DIN EN 60068-2-3, no moisture condensation

Emitted interference EN 61000-6-4:2007

Interference rejection EN 61000-6-2:2005

Shock resistance DIN EN 60068-2-27, 100 g, 3 ms

Vibration resistance DIN EN 60068-2-6, 10 g, 10 ... 2000 Hz

### Ambient conditions

Operating temperature

Glass disk -5 ... 80 °C (23 ... 176 °F), movable cable

-20 ... 80 °C (253 ... 353 K), fixed cable

Storage temperature

Glass disk -40 ... 100 °C (-40 ... 212 °F)

### Mechanical specifications

Material

Housing powder coated aluminum

Flange 3.1645 aluminum

Shaft Stainless steel 1.4305 / AISI 303

Mass approx. 350 g

Rotational speed max. 12000 min<sup>-1</sup>

Moment of inertia ≤ 25 gcm<sup>2</sup>

Starting torque ≤ 1.5 Ncm

Shaft load

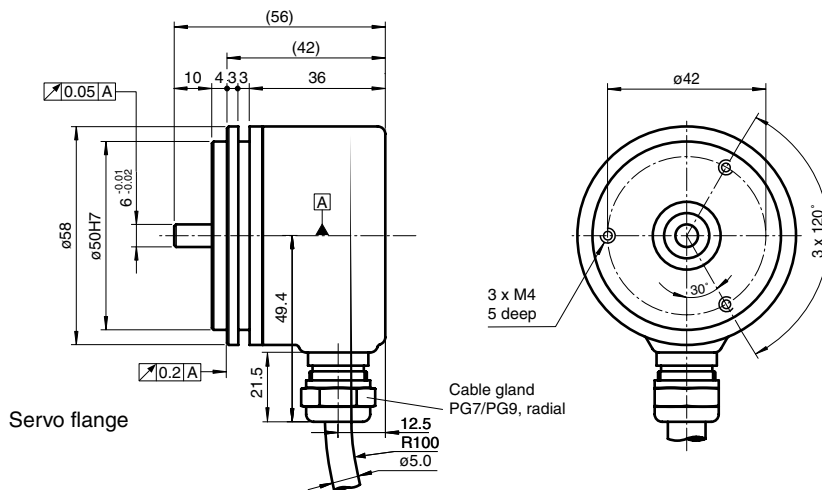
Axial 40 N at max. 6000 min<sup>-1</sup>

10 N at max. 12000 min<sup>-1</sup>

Radial 60 N at max. 6000 min<sup>-1</sup>

20 N at max. 12000 min<sup>-1</sup>

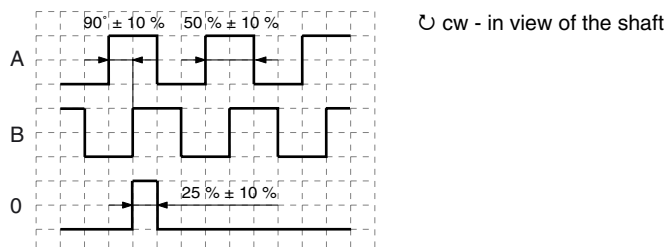
**Dimensions**



**Electrical connection**

Signal	Cable Ø5 mm, 5-core
GND	Grey
$U_b$	Brown
A	White
B	Green
0	Yellow

**Signal outputs**



**Accessories**

Accessories	Name/defining feature	Order code
Couplings	D1: Ø6 mm, D2: Ø6 mm	9401
	D1: Ø6 mm, D2: Ø6 mm	9402
	D1: Ø6 mm, D2: Ø6 mm	9404
	D1: Ø6 mm, D2: Ø6 mm	9409
	D1: Ø6 mm, D2: Ø6 mm	KW
Mounting aids	Mounting bracket and set	9300 and 9311-3
	Eccentric clamping elements	9310-3

**Order code**

**R V I 5 8 N - 0 3 2 Y Y R 3 1 N - Y 0 1 0 0**

