

**Model Number****MVH2000-F15-V1**Read/write head
for IDENTControl**Features**

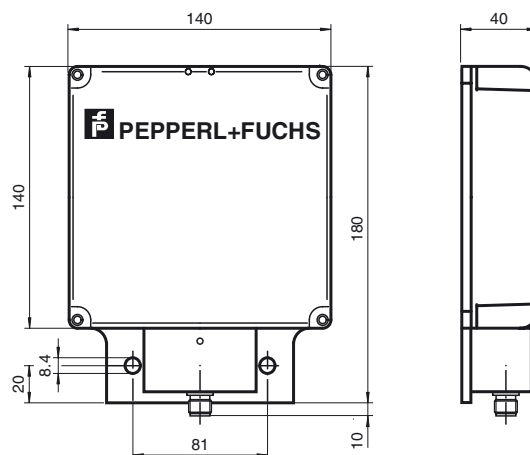
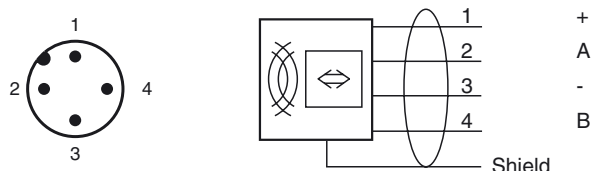
- 3 LEDs for function indication
- Connection via V1 (M12 x 1) plug connection
- Protection degree IP65

Accessories**V1-G-5M-PUR-ABG-V1-W**

Connecting cable, M12 to M12, PUR cable 4-pin, shielded

V1-G-10M-PUR-ABG-V1-W

Connecting cable, M12 to M12, PUR cable 4-pin, shielded

Dimensions**Electrical connection****Technical data****General specifications**

Operating frequency	2.45 GHz \pm 200 kHz
Transfer rate	76.8 kBit/s
Emitted power	10 mW (10 dBm)
Operating distance	0.2 ... 2 m, maximum 4 m
UL File Number	E87056

Indicators/operating means

LED green/yellow	green: power on green flashing: read/write attempt performed yellow: data carrier detected
LED Tx	communication
LED OK	Power on

Electrical specifications

Power consumption	P_0	≤ 7 W
Supply		from the IDENTControl

Standard conformity

Electromagnetic compatibility	EN 61326, EN 301489-1, EN 301489-3, EN 300440-1
Standards	EN 60950-1

Ambient conditions

Ambient temperature	-20 ... 70 °C (-4 ... 158 °F)
Storage temperature	-20 ... 70 °C (-4 ... 158 °F)
Shock and impact resistance	50 g, 11 ms, in all 3 spatial axes, with 3 positive and negative accelerations on each, according to IEC 68-2-27 and IEC 68-2-47

Mechanical specifications

Protection degree	IP65 according to EN 60529
Connection	M12 x 1 connector
Material	
Housing	PBT/stainless steel/aluminium
Installation	
Distance between two heads	8 m at operating distance 2 m
Mass	approx. 1200 g

Notes

Max. cable length:

100 m for wire cross section 4 x 0,34 mm²

150 m for wire cross section 4 x 0,50 mm²

200 m for wire cross section 4 x 0,75 mm²

Release date: 2012-02-09 15:11 Date of issue: 2012-02-09 122137_eng.xml