



**Model Number**

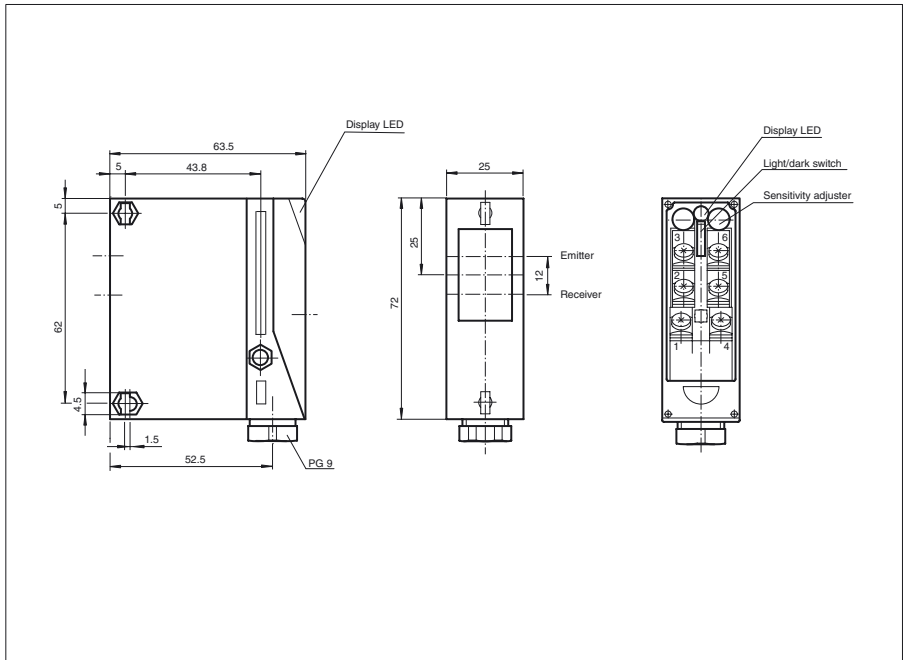
**RL25-8-2000/49/116**

Diffuse mode sensor  
with terminal compartment

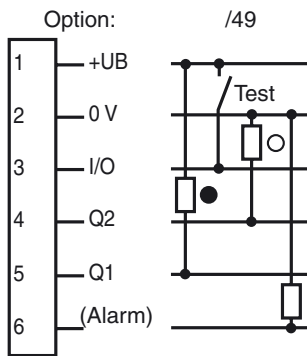
**Features**

- Compact design
- Pre-fault indication and output
- Sensing range adjuster and light/dark switch
- Test input

**Dimensions**



**Electrical connection**



- = Light on
- = Dark on

Release date: 2007-09-21 11:08 Date of issue: 2011-01-26 122536\_ENG.xml

Subject to modifications without notice

Pepperl+Fuchs Group  
www.pepperl-fuchs.com

USA: +1 330 486 0001  
fa-info@us.pepperl-fuchs.com

Germany: +49 621 776-4411  
fa-info@pepperl-fuchs.com

Copyright Pepperl+Fuchs  
Singapore: +65 6779 9091  
fa-info@sg.pepperl-fuchs.com

## Technical data

### General specifications

Detection range	10 ... 2000 mm
Adjustment range	600 ... 2000 mm
Reference target	standard white 100 mm X 100 mm
Light source	IREL
Light type	modulated infrared light
Approvals	CE, cULus
Diameter of the light spot	approx. 70 mm at a distance of 2000 mm
Angle of divergence	approx. 2 °
Ambient light limit	30000 Lux

### Indicators/operating means

Function display	LED green, lights up with receiver lit , flashes when falling short of the stability control
Controls	Detection range adjuster
Controls	Light/Dark switch

### Electrical specifications

Operating voltage	$U_B$	10 ... 30 V DC
Ripple		10 %
No-load supply current	$I_0$	40 mA

### Input

Test input	emitter deactivation at $+U_B$
------------	--------------------------------

### Output

Output of the pre-fault indication	1 PNP, inactive when falling short of the stability control	
Switching type	light/dark on switchable	
Signal output	1 NPN, 1 PNP synchronized-switching, short-circuit protected, reverse polarity protected	
Switching voltage	30 V DC	
Switching current	max. 200 mA	
Switching frequency	$f$	50 Hz
Response time		10 ms

### Standard conformity

Standards	EN 60947-5-2
-----------	--------------

### Ambient conditions

Ambient temperature	-20 ... 60 °C (-4 ... 140 °F)
Storage temperature	-20 ... 75 °C (-4 ... 167 °F)

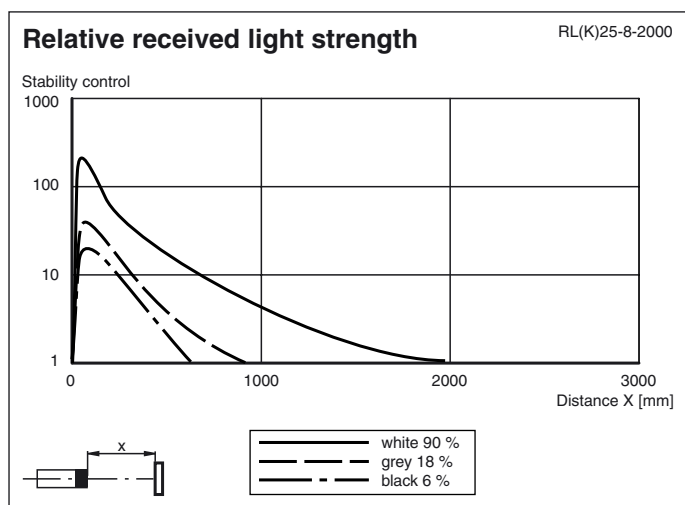
### Mechanical specifications

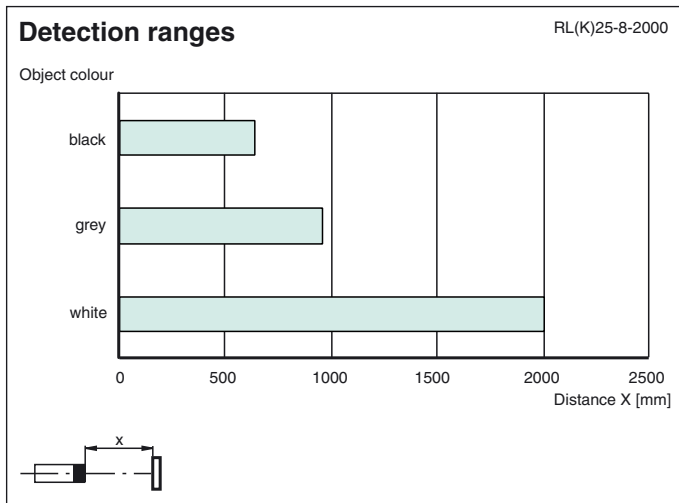
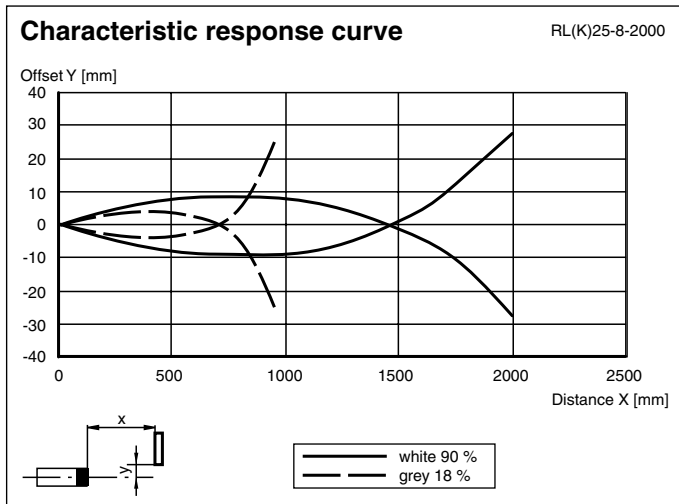
Protection degree	IP65
Connection	terminal compartment
Material	
Housing	Terluran GV15
Optical face	glass
Mass	90 g

### Approvals and certificates

CCC approval	Products with a maximum operating voltage of $\leq 36$ V do not bear a CCC marking because they do not require approval.
--------------	--

## Curves/Diagrams





Release date: 2007-09-21 11:08 Date of issue: 2011-01-26 122536\_ENG.xml