



Model Number

ICC-16GKA

Code carrier

Features

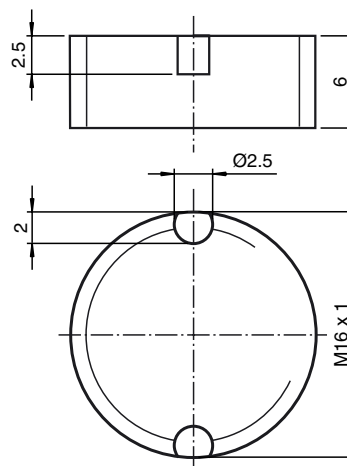
- Battery-free code carrier
- 28 bit fixcode
- Readable from the printed side
- Embeddable mountable in metal
- Protection degree IP67
- With thread M16 x 1

Accessories

IVZ-16G-EW

Screw-in tool

Dimensions



Technical data

General specifications

Operating frequency	250 kHz
Transfer rate	7.8 kBit/s

Memory

Chip Type	P+F
Type/Size	ROM 64 bit (28 bit code, 36 bit data security)
Read cycles	unlimited

Ambient conditions

Ambient temperature	-25 ... 70 °C (248 ... 343 K)
Storage temperature	-40 ... 85 °C (233 ... 358 K)

Mechanical specifications

Protection degree	IP67
Material	
Housing	PBT
Encapsulation compound	CY 221/HY 2966

Compliance with standards and directives

Standard conformity	
Protection degree	EN 60529

Notes

The surface containing the text must face the read/write head.