



### Model Number

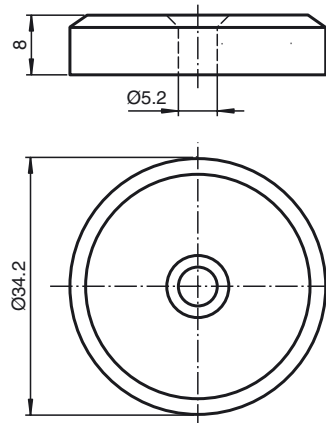
**IPC11-34**

Data carrier

### Features

- Battery-free data carrier
- 40 bit fixcode free programmable
- Readable from both sides
- Protection degree IP66
- Mounting holes for simple installation

### Dimensions



### Technical data

#### General specifications

Operating frequency	125 kHz
Distance	distance tables, see introduction

#### Memory

Type/Size	EEPROM 264 Bit (40 Bit can be used as special fix code)
Read cycles	unlimited

#### Ambient conditions

Ambient temperature	-25 ... 85 °C (248 ... 358 K)
Storage temperature	-25 ... 85 °C (248 ... 358 K)

#### Mechanical specifications

Protection degree	IP66
Material	
Housing	Polyamide (PA) / Polyurethane (PUR)

### Notes

The transponder can be read and written from either side.