



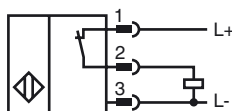
Model Number

NRN75-FP-E3-C-P3-V1

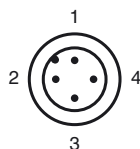
Features

- 75 mm non-flush
- Reduction factor = 1
- Weld Immune

Connection



Pinout



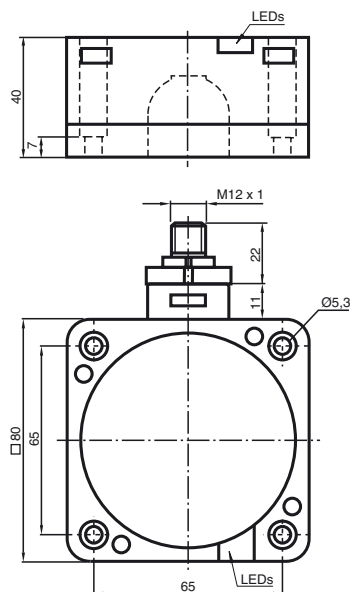
Wire colors in accordance with EN 60947-5-2

1	BN	(brown)
2	WH	(white)
3	BU	(blue)
4	BK	(black)

Accessories

- V1-G**
4-pin, M12 female field-attachable connector
- V1-W**
4-pin, M12 female field-attachable connector
- V1-W-2M-PUR**
Cable socket, M12, 4-pin, PUR cable
- V1-G-2M-PUR**
Cable socket, M12, 4-pin, PUR cable

Dimensions



Technical Data

General specifications

Switching element function		PNP	NC
Rated operating distance	s_n	75 mm	
Installation		non-flush	
Output polarity		DC	
Assured operating distance	s_a	0 ... 55 mm	
Reduction factor r_{Al}		1	
Reduction factor r_{Cu}		1	
Reduction factor r_{304}		1	
Reduction factor r_{St37}		1	

Nominal ratings

Operating voltage	U_B	10 ... 30 V
Switching frequency	f	0 ... 1 Hz
Hysteresis	H	typ. 3 %
Reverse polarity protected		reverse polarity protected
Voltage drop	U_d	≤ 3 V
Rated insulation voltage	U_{BIS}	50 V
Operating current	I_L	0 ... 200 mA
Off-state current	I_r	0 ... 0.5 mA
No-load supply current	I_0	≤ 20 mA
Operating voltage display		LED, green
Indication of the switching state		LED, yellow

Ambient conditions

Ambient temperature	0 ... 50 °C (32 ... 122 °F) (± 10 % changing operating distance)
	-25 ... 70 °C (-13 ... 158 °F) (± 20 % changing operating distance)

Mechanical specifications

Connection type	Device connector M12 x 1 , 4-pin
Housing material	PBT/metal
Sensing face	PBT, PTFE coated
Housing base	PBT
Protection degree	IP68

Compliance with standards and directives

Standard conformity	
Standards	EN 60947-5-2:2007 IEC 60947-5-2:2007

Approvals and certificates

Protection class	II
Rated insulation voltage	U_i 60 V
Design-impulse-voltage withstand U_{imp}	800 V
UL approval	cULus Listed, General Purpose
CSA approval	cCSAus Listed, General Purpose
CCC approval	Products with a maximum operating voltage of ≤36 V do not bear a CCC marking because they do not require approval.

Release date: 2012-05-04 09:37 Date of issue: 2012-05-04 189430_eng.xml

Installation hint

These sensors are also suitable for mounting on metal. The stated switching distance is achieved with a metal base plate, min. dimensions 225 mm x 225 mm.

When mounted on a non-metallic base plate the switching distance is reduced by approx. 10%

