



Model Number

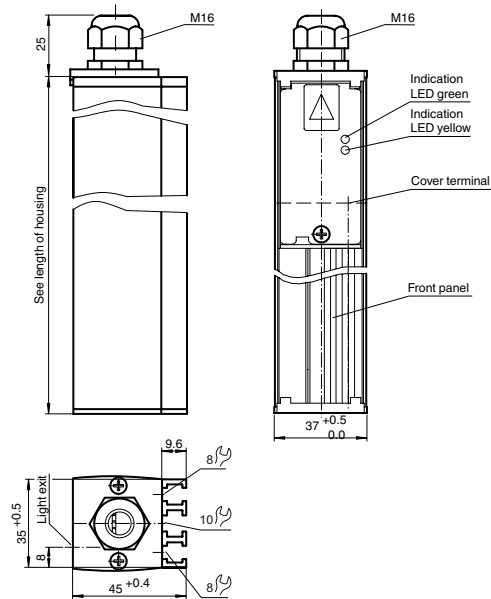
PLVScanP64-3056-48/47/86

Light grid
with terminal compartment

Features

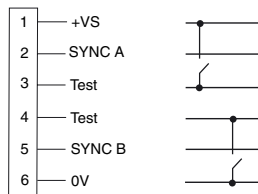
- Measuring light grid
- Beam spacing 48.5 mm
- RS 232 interface for data transmission and configuration
- Adjustable beam crossover and emitted optical power
- Separate outputs for height monitoring
- Programmable via Windows software

Dimensions



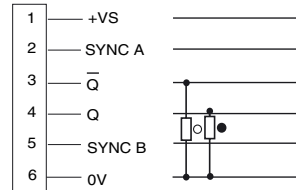
Electrical connection

Emitter

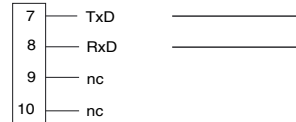


Receiver

Terminal 1



Terminal 2



○ = Light on
● = Dark on

Technical data**General specifications**

| | |
|---------------------------|---|
| Effective detection range | 3 ... 8 m , can be reduced to > 0.3 m |
| Threshold detection range | 12 m |
| Sensing range | 0 ... 8000 mm |
| Light source | IREL |
| Light type | modulated infrared light |
| Field height | 3056 mm |
| Chipping | 5X |
| Beam spacing | 48.5 mm |
| Number of beams | 64 |
| Angle of divergence | Emitter: $\pm 13^\circ$, Receiver: $\pm 8^\circ$ |
| Ambient light limit | 50000 Lux |

Indicators/operating means

| | |
|-------------------|---|
| Operating display | LED green |
| Function display | Emitter: LED yellow, light with free light beam, off when falling short of the function reserve , Receiver: LED yellow: flashes when the beam field is interrupted, otherwise off |
| Controls | Potentiometer for adjustment of the transmitting power (in the terminal compartment) |

Electrical specifications

| | | |
|-------------------|-------|----------------|
| Operating voltage | U_B | 20 ... 30 V DC |
| Ripple | | 10 % |
| Power consumption | P_0 | max. 10 W |

Interface

| | |
|----------------|--------|
| Interface type | RS 232 |
|----------------|--------|

Input

| | |
|----------------|--|
| Test input | emitter deactivation with $+U_B$ on terminal 3 or 0V on terminal 4 |
| Function input | RS 232 interface for system programming |

Output

| | | |
|---------------------|---|------|
| Switching type | light/dark on | |
| Signal output | 2 PNP, complementary, short-circuit protected (monitoring field) and 1 x RS 232 interface with serial data output | |
| Switching voltage | 30 V DC | |
| Switching current | 200 mA | |
| Switching frequency | f | 7 Hz |
| Response time | 64 ms without crossing of beams | |
| Timer function | Off-delay programmable from 0 ... 1.25 s in 5 ms steps | |

Ambient conditions

| | |
|---------------------|---|
| Ambient temperature | -10 ... 60 °C (14 ... 140 °F) In North America: -10 ... 40 °C (14 ... 104 °F) |
| Storage temperature | -20 ... 70 °C (-4 ... 158 °F) |

Mechanical specifications

| | |
|-------------------|---|
| Housing length L | 3145 mm |
| Protection degree | IP50 |
| Connection | PG9 terminal compartment with screw terminals |
| Material | |
| Housing | silver-anodized aluminum |
| Optical face | PMMA |
| Mass | 3600 g (device) |

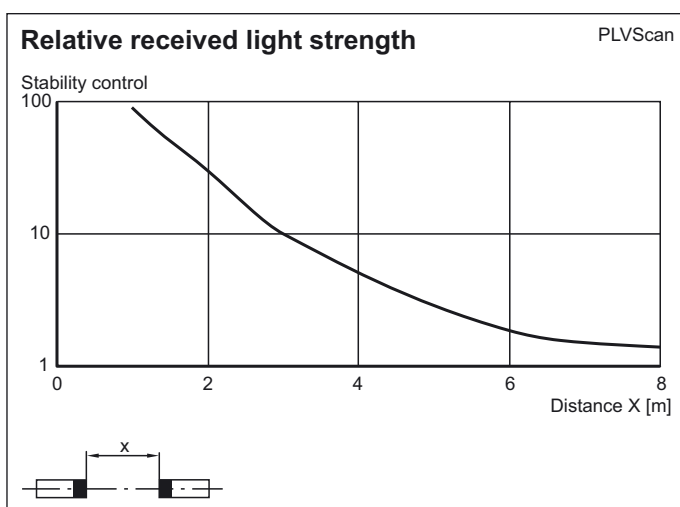
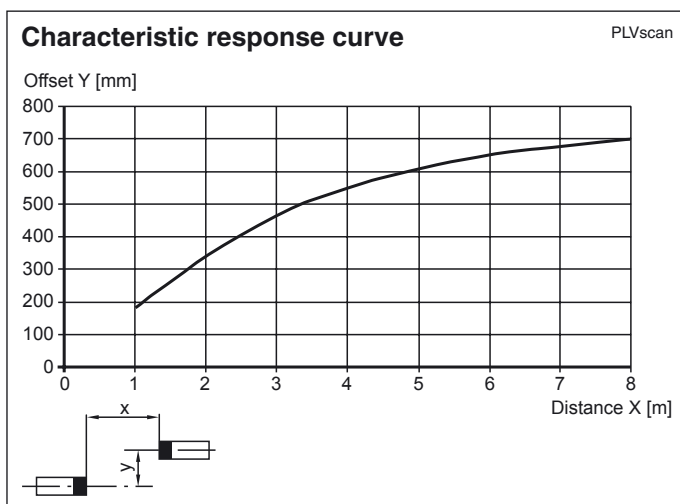
Compliance with standards and directives

| | |
|---------------------|---|
| Standard conformity | |
| Product standard | EN 60947-5-2:2007 IEC 60947-5-2:2007 |

Approvals and certificates

| | |
|---------------|--|
| CE conformity | yes |
| UL approval | cULus |
| CCC approval | Products with a maximum operating voltage of ≤ 36 V do not bear a CCC marking because they do not require approval. |

Curves/Diagrams



Arrangement and function

Principle of operation

Light grids consist of an emitter bar and a receiver bar. The surface to be monitored is in between the two. The switching command is initiated by a body or object penetrating into the monitoring field.

The light grid PLVScan ensures an overall monitoring of the evaluation range with a max. of 64 light beams (infrared emitter and receiver). The integrated signal processing saves an additional mounting of a separate controlgear. Due to the modular design of the system, different distances of the light beams can be implemented. This makes it possible to use the light grids of the PLVScan series optimally and adapt them specifically to a given application.

In addition the system is equipped with up to four switch outputs which can be used for height monitoring (option /139) or with a serial data output across which the state of the beams can be queried(option /86). The system programming is accomplished via a RS 232 interface. For this purpose, the software WINPLV is required which can be ordered separately.

Safety Instructions:

The device must only be operated with an extra-low safety voltage with safe electrical separation. Only your supplier is authorised to make repairs or changes to the device!

The system must be regularly maintained and monitored. The programming cable can only be plugged in when the light grid is turned on and working correctly.

A clean, soft cloth can be used for cleaning. Aggressive, abrasive and scratching cleaners that could scour or damage the surface must be avoided. The device must not be exposed to strong jolts or vibrations.

Commissioning

Preconditions:

- The emitter and receiver bars must be correctly mounted and aligned.
- The electrical connection must have been set up according to the connection diagram.
- **Important:** The sync lines must be connected to each other (A to A) and (B to B).
- The signal output responds to object detection or heavy accumulation of dirt and dust on the transparent outline covering.
- In the case of interruption of at least one light beam, the output remains active as long as the object or the soiling is detected.

ATTENTION!

Supply +UB / GND(0 V)

Connection is reverse-polarity protected. If the housing of the PLVScan is earthed and the operating voltage is reverse polarity protected, a short circuit current can flow through both housings to earth. If polarity is reversed and the light grid is earthed, components in the device may be destroyed as a result.

Error detection

- Measuring the operating voltage
- Control of the wiring (sync leads connected?)
- Control of emitter- and receiver bar for soiling effects, cleaning, if necessary.

LED functional displays

A green LED for function display of Power ON and a yellow Status LED with a diagnostic function are located on the connection side of the profiles behind the optical system covering.

In normal operation, the yellow LED in the transmitter is continuously lit if there is sufficient functional reserve.

The yellow LED in the receiver indicates the switching state of the light grid.

Diagnostic function of the yellow LED

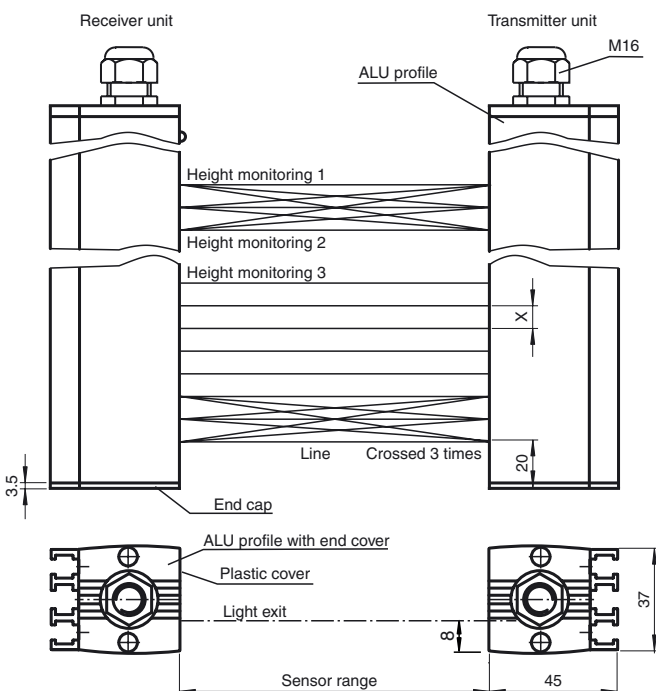
| Function | Diagnostic description |
|--|--|
| The LED of the transmitter is lit statically The LED of the receiver is not lit | Normal status with free protected area, system is active, all light lines are free and have sufficient function reserve. |
| LED of the emitter flashes slowly (approx. 0.5 Hz) | Insufficient function reserve because of poor alignment of the light grid, receiver or RS485 bus is incorrectly connected. |
| LED of the receiver not lit, output protected area active | Transmitter or RS bus connected incorrectly. |
| LED on the receiver is flashing (approx. 1 Hz) output protected area active | at least one light line is covered. |
| LED on the receiver is flashing (approx. 2 Hz) | The system is in test mode and the programming connector is plugged in. |
| LED on the receiver is flashing quickly (about 7 Hz) | No valid values in EEPROM or the system is not programmed \Rightarrow Ρε-προγραμ. |
| LED of the receiver flashes continuously | The system is in programming mode. |

Resolution and beam spacing

The mechanical beam spacing (see illustration, dimension X) determines the smallest size of object that can still be detected. The resolution of the light grid can be increased by crossing light beams. The detection ranges can be adjusted on the transmission unit with a potentiometer.

The variants with the option /86 (RS232-output) can be operated only without crossing of beams.

The units are delivered without any programming for height monitoring. The course of the beam is not crossed.





Representation of the course of the beam as straight/crossed, design example with three light lines for height monitoring

Release date: 2011-09-20 17:01 Date of issue: 2011-09-20 183807_eng.xml

Subject to modifications without notice

Pepperl+Fuchs Group
www.pepperl-fuchs.com

USA: +1 330 486 0001
fa-info@us.pepperl-fuchs.com

Germany: +49 621 776-4411
fa-info@pepperl-fuchs.com

Copyright Pepperl+Fuchs
Singapore: +65 6779 9091
fa-info@sg.pepperl-fuchs.com