



Model Number

UB250-F12-I-V15

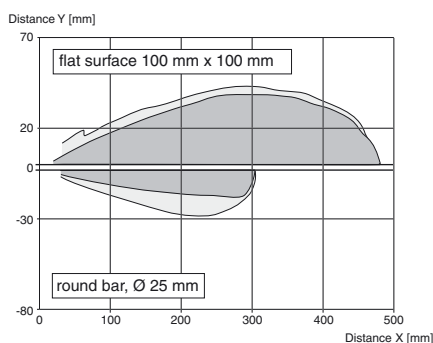
Single head system

Features

- Evaluation limits can be taught-in
- Selectable sound lobe width
- Synchronization options
- Very small unusable area
- Temperature compensation

Diagrams

Characteristic response curve



Technical data

General specifications

| | |
|-----------------------|-----------------|
| Sensing range | 20 ... 250 mm |
| Adjustment range | 25 ... 250 mm |
| Unusable area | 0 ... 20 mm |
| Standard target plate | 100 mm x 100 mm |
| Transducer frequency | approx. 400 kHz |
| Response delay | approx. 20 ms |

Indicators/operating means

| | |
|------------|---|
| LED green | Operating display |
| LED yellow | Evaluation range indicator, Ready for programming |
| LED red | Ready for programming, Fault |

Electrical specifications

| | |
|------------------------------|----------------|
| Operating voltage U_B | 10 ... 30 V DC |
| No-load supply current I_0 | ≤ 30 mA |

Input/Output

| | |
|---------------------------|--|
| Synchronization | 1 synchronous connection, bi-directional 0-level: $-U_B \dots +1$ V 1-level: $+4$ V $\dots +U_B$ input impedance: > 12 kΩ synchronization pulse: ≥ 100 μs, synchronization interpulse period: ≥ 2 ms |
| Synchronization frequency | |
| Common mode operation | ≤ 45 Hz |
| Multiplex operation | ≤ 45/n Hz, n = number of sensors |

Input

| | |
|--------------|---|
| Input type | 1 program input Switching distance 1: $-U_B \dots +1$ V, Switching distance 2: $+3$ V $\dots +U_B$ Input impedance: > 10 kΩ |
| Pulse length | ≥ 1 s |

Output

| | |
|-----------------------|---|
| Output type | 1 analog output 4 ... 20 mA |
| Default setting | evaluation limit A1: 20 mm , evaluation limit A2: 250 mm , wide sound lobe , rising slope |
| Repeat accuracy | ≤ 1 % |
| Load impedance | ≤ 1000 |
| Temperature influence | ± 1.5 % of full-scale value |

Ambient conditions

| | |
|---------------------|--------------------------------|
| Ambient temperature | -15 ... 70 °C (5 ... 158 °F) |
| Storage temperature | -40 ... 85 °C (-40 ... 185 °F) |

Mechanical specifications

| | |
|-------------------|---|
| Connection type | Device connector M12 x 1 , 5-pin |
| Protection degree | IP54 |
| Material | |
| Housing | Frame: nickel plated, die cast zinc, Laterals: glass-fiber reinforced plastic PC |
| Transducer | epoxy resin/hollow glass sphere mixture; foam polyurethane, cover PBT |
| Mass | 60 g |

Compliance with standards and directives

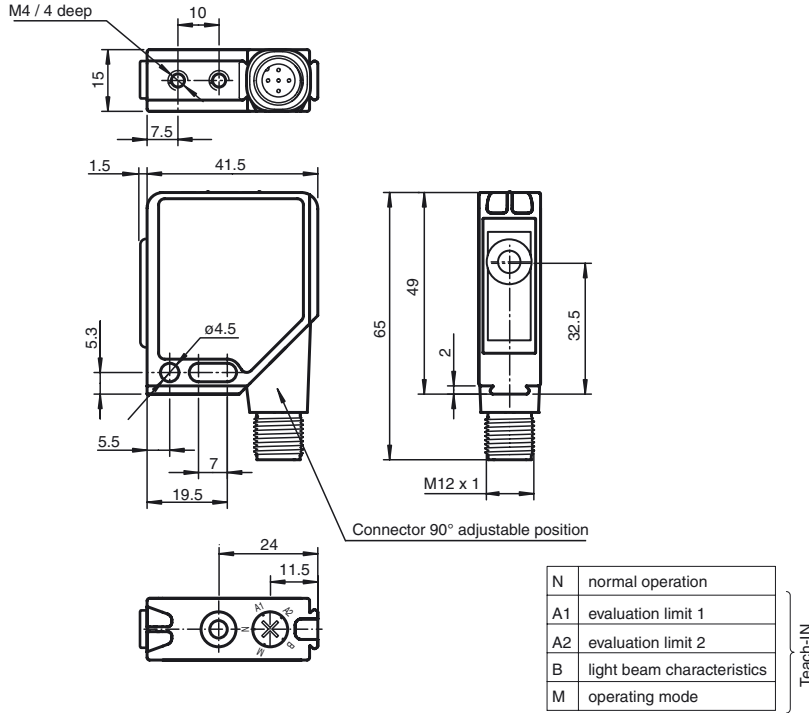
| | |
|---------------------|---|
| Standard conformity | |
| Standards | EN 60947-5-2:2007 IEC 60947-5-2:2007 EN 60947-5-7:2003 EN 60947-5-7:2003 |

Approvals and certificates

| | |
|--------------|--------------------------------|
| UL approval | cULus Listed, General Purpose |
| CSA approval | cCSAus Listed, General Purpose |

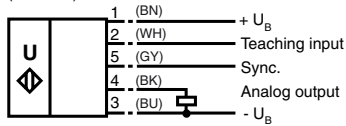
Release date: 2011-08-16 09:03 Date of issue: 2011-08-16 193653_eng.xml

Dimensions



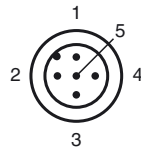
Electrical Connection

Standard symbol/Connections:
(version I)



Core colours in accordance with EN 60947-5-2.

Pinout



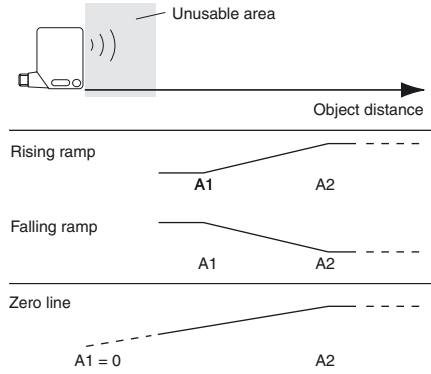
Wire colors in accordance with EN 60947-5-2

| | | |
|---|----|---------|
| 1 | BN | (brown) |
| 2 | WH | (white) |
| 3 | BU | (blue) |
| 4 | BK | (black) |
| 5 | GY | (gray) |

Function description

Additional Information

Analogue output programming



Accessories

- OMH-K01**
dove tail mounting clamp
- OMH-K02**
dove tail mounting clamp
- OMH-K03**
dove tail mounting clamp
- OMH-01**
Mounting aid for round steel \varnothing 12 mm or sheet 1.5 mm ... 3 mm
- OMH-06**
Mounting aid for round steel \varnothing 12 mm or sheet 1.5 mm ... 3 mm
- OMH-MLV12-HWG**
Mounting bracket for series MLV12 sensors
- OMH-MLV12-HWK**
Mounting bracket for series MLV12 sensors
- V15-G-2M-PVC**
Cable socket, M12, 5-pin, PVC cable
- V15-W-2M-PUR**
Cable socket, M12, 5-pin, PUR cable

The sensor can be fully programmed by means of a push button and a selector switch on the top of the housing. A special feature of this sensor is the option of adapting the breadth of the ultrasonic beam to suit the ambient conditions at the point of use.

Normal operation

During normal operation the output stage of the sensor operates in accordance with the taught-in evaluation limits, the programmed mode of operation and characteristic of the sonic beam. In this made the selector switch must remain at the N position.

| LED | Condition |
|------------|--|
| Green LED | Continuous: Ready for operation |
| Yellow LED | Object detected within the evaluation limits |

If the selector switch is not in the N position when the power supply is switched on, then this is indicated by simultaneous flashing of the green and yellow LEDs. However, the function of the output stage is as for the switch position N.

Teaching in of the evaluation range limits:

Within a time window of 5 minutes after switch-on of the power supply the sensor is ready for adaptation of the evaluation range limits to the requirements of the respective application.

- Place the object that is to be detected at one of the desired limits of the evaluation range.
- Set the selector switch to position A1.
- Now actuate the TEACH-IN button.

| LED | before pressing button | on pressing button | after pressing button |
|--------|---|--------------------|----------------------------|
| Green | Off | Off | On |
| Yellow | Flashes: Positive detection of object | On | Evaluation limit displayed |
| Red | Flashes: No object detected On: Object not positively detected | Off | Off |

- The teach-in procedure for the evaluation range limit can be repeated by repeatedly actuating the TEACH-IN button.
- Proceed in the same way for the second evaluation range limit, but set the selector switch to position A2.
- Return the selector switch to position N.

Note: Acceptance of the evaluation range limits into the permanent memory of the sensor does not take place until the selector switch is reset to N. If this acceptance does not take place within a time window of 5 minutes, the sensor continues to operate with unchanged values and the red and yellow LEDs flash.

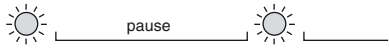



The teach in sequence of the evaluation range limits (Near limit/Far limit) is arbitrary.

Alternatively, the evaluation range limits can be set electrically, via the teach-in input. In this case the selector switch is left in the N position. The two evaluation limits are taught in by applying the potentials +U_B (A1) and -U_B (A2), respectively, for at least 500 ms to the teach-in input.

Parameter assignment of the output function

Within a time window of 5 minutes from switching on the power supply the sensor is ready for adaptation of the output function.

- Set the selector switch to position M (Mode). The current set operating mode is indicated by the flashing sequence of the green LED.
- The optional operating modes are selected by briefly actuating the TEACH-IN button (See flashing sequence of the green LED).

| Operating mode | Flashing sequence of the green LED | T button |
|------------------|---|---|
| Rising ramp |  |  |
| Falling ramp |  | |
| Zero point level |  | |

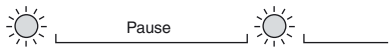

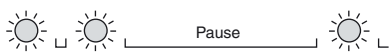

- Return the selector switch to position N when the desired operating mode is displayed.

Note: Acceptance of the operating mode into the permanent memory of the sensor does not take place until the selector switch is set to N. If this acceptance does not take place within a time window of 5 minutes, the sensor continues to operate with unchanged operating mode and the red and yellow LEDs flash.

Parameter assignment of the ultrasonic beam breadth

Within a time window of 5 minutes from switching on the power supply the sensor is ready for adaptation of the ultrasonic beam breadth.

- Set the selector switch to position B (Beam). The flashing sequence of the green LED indicates the currently set ultrasonic beam breadth.
- The optional beam breadths are selected by brief actuation of the TEACH-IN button (See flashing sequence of the green LED).

| Characteristic | Flashing sequence of the green LED | T-Button |
|----------------|---|---|
| Narrow beam |  |  |
| Medium beam |  | |
| Broad beam |  | |

- Return the selector switch to position N when the desired beam breadth is indicated.

Note: Acceptance of the ultrasonic beam breadth into the permanent memory of the sensor does not take place until the selector switch is set to N. If this

Release date: 2011-08-16 09:03 Date of issue: 2011-08-16 193653_eng.xml

acceptance does not take place within the 5 minute time window, the sensor continues its operation with an unchanged ultrasonic beam breadth and the red and yellow LEDs flash.

Synchronisation

A synchronisation connection is provided for the suppression of mutual interference. If this is unused, or connected to 0V, then the sensor operates with an internally generated clock-pulse rate. The synchronisation of a number of sensors can be achieved by the following means.

External synchronisation:

The sensor can be synchronised by the external application of a square-wave voltage. A synchronisation pulse at the synchronisation input leads to the execution of a measuring cycle. The pulse width must be greater than 1.2 ms. The measuring cycle starts with the falling ramp. A low level > 1 s or an open synchronisation input leads to the normal operation of the sensor. A high level at the synchronisation input deactivates the sensor.

Two operating modes are possible.

- A number of sensors are triggered by the same synchronisation signal. The sensors operate in common mode.
- The synchronisation pulses are fed cyclically to one sensor at a time. The sensors operate in multiplex mode.

Self-synchronisation:

The synchronisation connections of up to 5 sensors are connected together to provide the option of self-synchronisation. When the operating voltage is switched on these sensors operate in multiplex mode. The switch-in delay increases depending on the number of sensors to be synchronised. Synchronisation cannot take place during teach-in and vice-versa. The sensors must be operated unsynchronised for the teaching-in of the switch points.

Note:

If the synchronisation option is not used, then the synchronisation input is connected to earth (0V) or the sensor is operated with a V1 connection cable (4-pole).