



Model Number

VOL300-FL45-RT

External lighting for VOS3* Series

Features

- For series VOS300 sensors
- Visible red light
- Plastic lens

External lighting

Accessories

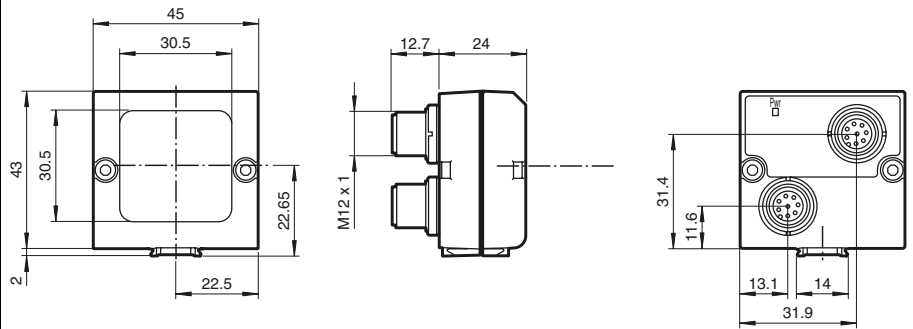
OMH-VOS300-01

Mounting aid

OMH-VOS300-K01

Mounting aid

Dimensions



Technical data

General specifications

Light source	LED
Light type	Red light
Lifetime	approx. 4000 h

Indicators/operating means

Operating display	LED green: supply
-------------------	-------------------

Electrical specifications

Operating voltage	U_B	24 V DC \pm 10 %
Operating current		max. 310 mA
Ripple		\leq 10 %

Input

Trigger input	10 V ... U_B
---------------	----------------

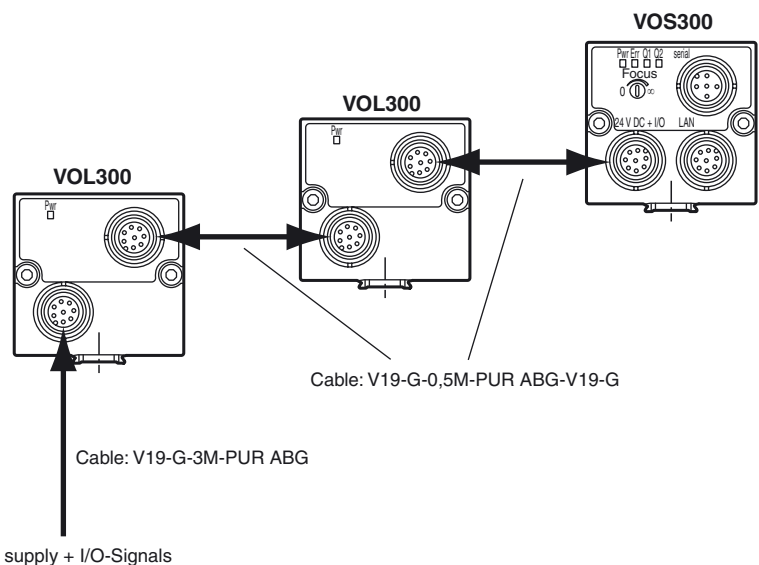
Ambient conditions

Ambient temperature	0 ... 50 °C (273 ... 323 K)
Storage temperature	-20 ... 60 °C (253 ... 333 K)

Mechanical specifications

Protection degree	IP65
Connection	2 x M12 connector, 8-pin
Material	
Housing	plastic
Optical face	Plastic pane
Installation	with Fixation clamp for sensors with dove tail
Mass	approx. 60 g

Possible connections for the VOS300:



Notice:

Pins are connected through.