



Model Number

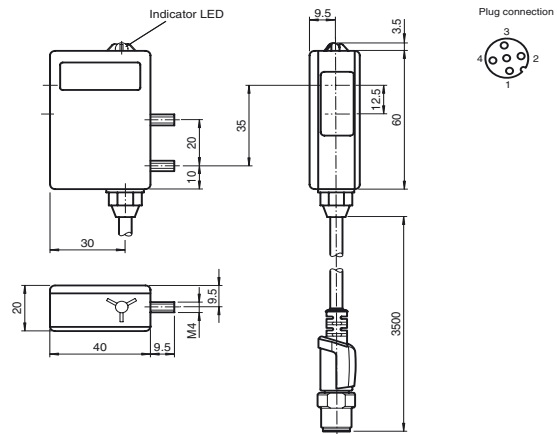
LT63-3845

Diffuse mode sensor with background suppression
with fixed cable and M12 connector, 4-pin

Features

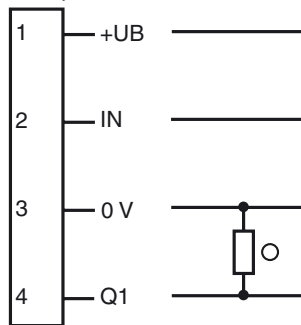
- Sensing range 20 mm ... 60 mm
- Light scanner with foreground suppression 0 mm ... 15 mm and background suppression beyond 70 mm
- Minimal black-white difference
- Sturdy aluminium housing

Dimensions



Electrical connection

Option:



○ = Light on
● = Dark on

Technical data

General specifications

Detection range	20 ... 60 mm foreground suppression: 0 ... 15 mm
Detection range min.	20 ... 60 mm
Detection range max.	16 ... 70 mm
Light source	IREL
Black/White difference (6 %/90 %)	≤ 9 mm
Approvals	CE
Background suppression	starts from 70 mm
Light type	infrared, modulated light
Diameter of the light spot	approx. 5 mm at a distance of 70 mm
Angle of divergence	approx. 4 °
Ambient light limit	40000 Lux

Indicators/operating means

Function display	LED red, lights up with receiver lit
------------------	--------------------------------------

Electrical specifications

Operating voltage	12 ... 30 V DC
Ripple	10 %
No-load supply current I_0	70 mA

Input

Control input	<ul style="list-style-type: none"> - When the input is open: Sensor operates - the output is reset on a positive edge - the output is set at high level when an object is located in the detection range - there is no sensor function at low level, the output signal is stored until the next positive edge
---------------	---

Output

Switching type	light ON
Signal output	1 pnp, short-circuit proof, protected against reverse polarity
Switching voltage	max. 30 V DC
Switching current	max. 200 mA
Switching frequency f	250 Hz
Response time	2 ms

Standard conformity

Standards	EN 60947-5-2
-----------	--------------

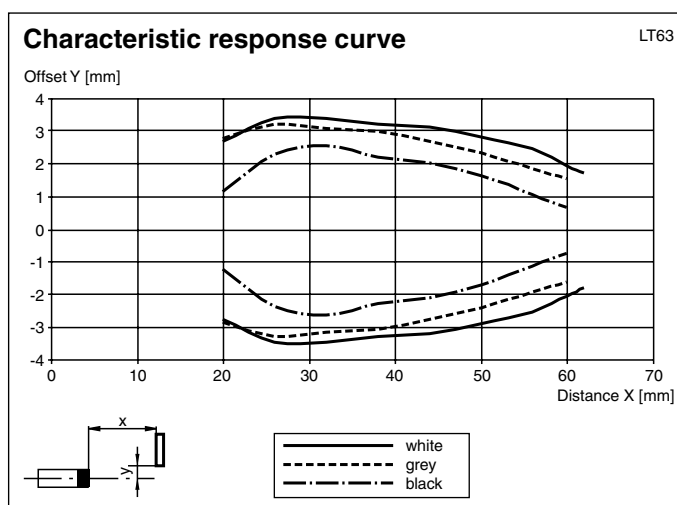
Ambient conditions

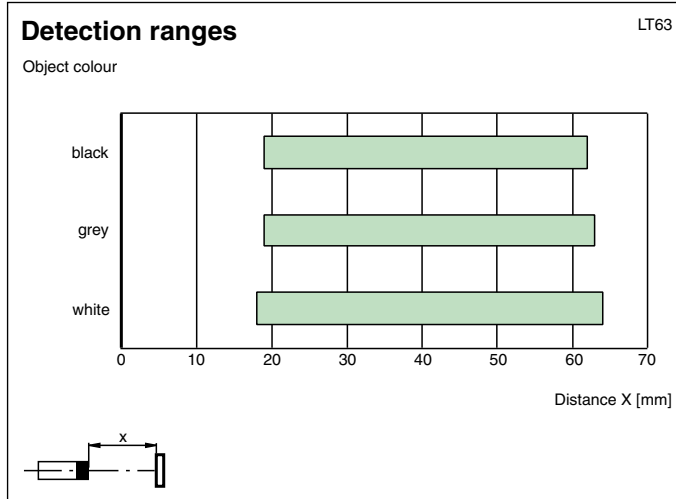
Ambient temperature	0 ... 80 °C (273 ... 353 K)
Storage temperature	-20 ... 80 °C (253 ... 353 K)

Mechanical specifications

Protection degree	IP65
Connection	fixed cable 3,5 m with M12 x 1 connector, 4-pin
Material	
Housing	aluminium, black anodised
Optical face	glass
Mass	90 g

Curves/Diagrams





Path of light beam

LT 63/LT 64

