



Model Number

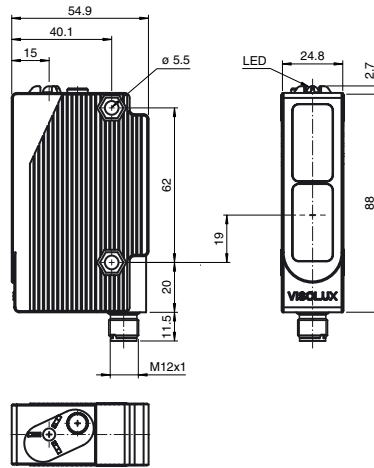
RLF23-8-H-600-3964/47/92

Background suppression sensor with 4-pin, M12 x 1 plastic connector

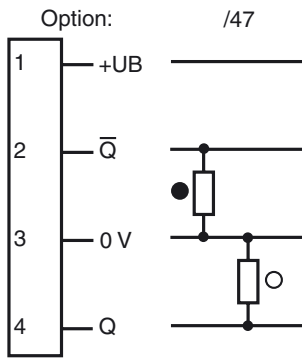
Features

- Precise background suppression
- Sturdy plastic housing
- Extremely bright LED indicator
- No interference from reflections in the background
- Optical surface made of scratch-resistant glass

Dimensions

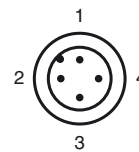


Electrical connection



○ = Light on
● = Dark on

Pinout



Release date: 2008-05-09 09:59 Date of issue: 2011-01-26 205591_ENG.xml

Technical data**General specifications**

Detection range	70 ... 600 mm
Background suppression	> 700 mm
Light source	LED
Light type	modulated visible red light
Black/White difference (6%/90%)	< 10 %
Approvals	CE
Transmitter frequency	1.8 kHz
Diameter of the light spot	8 mm at sensor range 600 mm
Angle of divergence	2 °
Ambient light limit	60000 Lux

Indicators/operating means

Function display	LED yellow, lights up with receiver lit
------------------	---

Electrical specifications

Operating voltage	U_B	10 ... 30 V DC
Ripple		10 %
No-load supply current	I_0	100 mA

Output

Switching type	light on	
Signal output	2 PNP, complementary, short-circuit protected, reverse polarity protected	
Switching voltage	30 V DC	
Switching current	max. 200 mA	
Switching frequency	f	70 Hz
Response time		5 ms

Standard conformity

Standards	EN 60947-5-2
-----------	--------------

Ambient conditions

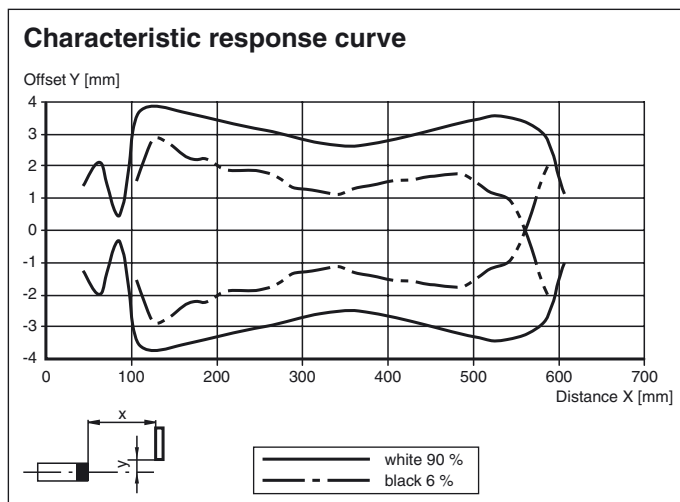
Ambient temperature	-20 ... 60 °C (-4 ... 140 °F)
Storage temperature	-20 ... 75 °C (-4 ... 167 °F)

Mechanical specifications

Protection degree	IP65
Connection	M12 connector, 4-pin
Material	
Housing	Novodur
Optical face	glass
Mass	180 g

Approvals and certificates

CCC approval

Products with a maximum operating voltage of ≤ 36 V do not bear a CCC marking because they do not require approval.**Curves/Diagrams****Accessories****OMH-05**Mounting aid for round steel \varnothing 12 mm or sheet 1.5 mm ... 3 mm**OMH-07**Mounting aid for round steel \varnothing 12 mm or sheet 1.5 mm ... 3 mm**OMH-21**

Mounting bracket

OMH-22

Mounting bracket

OMH-RLK29-HW

Mounting bracket for rear wall mounting

Additional accessories can be found in the Internet.