



Model Number

PMI14V-F112-U-IO-V31

Features

- Parameterization and diagnosis via IO-Link
- Measuring range 0 ... 14 mm
- Analog output 0 ... 10 V

Technical data

General specifications

Object distance	max. 2.5 mm
Measurement range	0 ... 14 mm

Nominal ratings

Operating voltage U_B	18 ... 30 V DC
Reverse polarity protected	reverse polarity protected
Resolution	33 μ m
Temperature drift	\pm 0.4 mm
No-load supply current I_0	\leq 20 mA
Operating voltage display	LED green

Interface

Interface type	IO-Link
Mode	COM 2 (38.4 kBaud)
Value range	0000h ... 7000h

Analog output

Output type	voltage output 0 ... 10 V
Linearity error	\pm 0.3 mm
Load resistor	\geq 2000 Ω

Ambient conditions

Ambient temperature	-25 ... 70 °C (-13 ... 158 °F)
---------------------	--------------------------------

Mechanical specifications

Connection type	M8 x 1 connector, 4-pin
Protection degree	IP67

Material	PA 6
Housing	PA 6

Note The data relating to accuracy only apply to a distance to the object to be detected of 1 ... 2.5 mm.

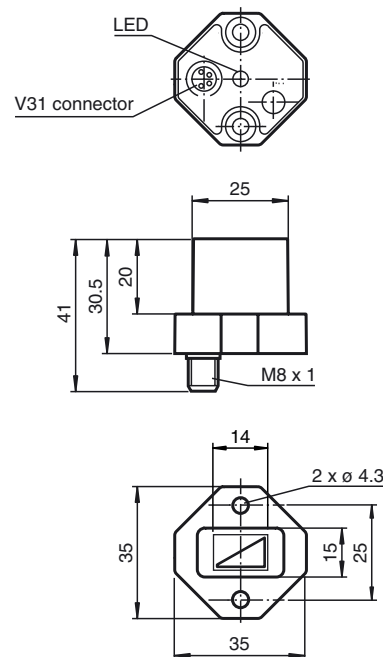
Compliance with standards and directives

Standard conformity	
Standards	EN 60947-5-2:2007 IEC 60947-5-2:2007

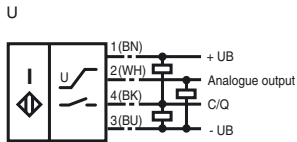
Approvals and certificates

UL approval	cULus Listed, General Purpose
CCC approval	Products with a maximum operating voltage of \leq 36 V do not bear a CCC marking because they do not require approval.

Dimensions



Electrical Connection



Core colors in accordance with EN 60947-5-2.

Pinout

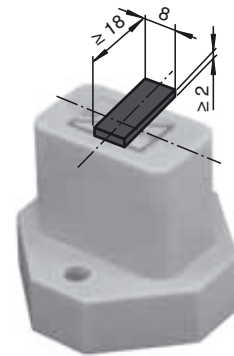


Wire colors in accordance with EN 60947-5-2

1	BN	(brown)
2	WH	(white)
3	BU	(blue)
4	BK	(black)

Additional Information

dimensions for the target object:



Accessories

BT-F90-W

Damping element for F90 sensors; lateral screw holes

V31-GM-2M-PUR-V1-G

Connection cable, M8 to M12, PUR cable, 4-pin

IO-Link-Master01-USB

IO-Link Master