



Model Number

OPD60W-F200A-R2

Optical Print Inspector, reads all common 1D and 2D codes, detects logos, Ethernet, RS†232, speeds of up to 10†m/s

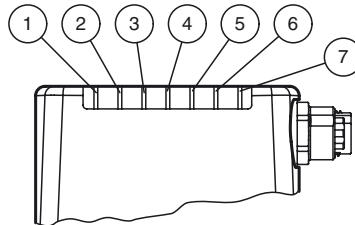
Features

- Reads 1D and 2D codes at extremely high speeds of up to 10†m/s at 30†readings/s
- Reads barcodes up to 200†mm long
- Code quality index output
- Logo comparison
- Rotary encoder input

Function

With the Optical Print Inspector, Pepperl+Fuchs provides the solution to code reading and detection tasks in the field of printing, paper, and packaging. Whether reading 1D and 2D codes at high speeds, at varying intervals, with reflective surfaces, with overly long barcodes or performing diverse detection tasks — with the Optical Print Inspector, you always have the right Vision Sensor at your disposal.

Indicating / Operating means



1	LED DIAG2	yellow
2	LED DIAG1	yellow
3	LED POWER	green
4	LED READY	yellow
5	LED BAD	yellow
6	LED GOOD	yellow
7	LED TRIGGER	yellow

Electrical connection

RS 232



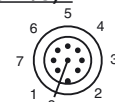
Pin	Signal
1	+UB
2	TX RS232
3	GND
4	RX RS232
5	NC

LAN



Pin	Signal
1	TX+ Ethernet
2	RX+ Ethernet
3	TX- Ethernet
4	RX- Ethernet

(24 V DC + I/O)



Pin	Signal
1	IN Trigger
2	+UB
3	OUT Good
4	OUT Bad
5	IN Encoder B
6	IN Encoder A
7	GND
8	OUT Matchcode

Release date: 2012-10-29 07:54 Date of issue: 2012-10-29 246343_eng.xml

Technical data**General specifications**

Light type	Integrated LED lightning (white)
Symbologies	Data Matrix, Code 39, Code 128, Int 2 of 5, EAN13, Pharmaco
Approvals	CE
Read distance	60 mm
Depth of focus	± 5 mm
Reading field	70 mm x 45 mm
Modul size	≥ 0.5 mm
Sensor principle	Camera system
Evaluation frequency	up to 50 Hz
Target velocity	triggered ≤ 10 m/s
Data Matrix	
Symbol size	rectangular up to 144 x 144 modules rectangular up to 16 x 48 modules
Data format	ASCII, C40, Text, X12, Edifact, Base 256 , all according to ISO 646
Orientation	omnidirectional

Nominal ratings

Camera	
Type	CMOS , Global shutter
Number of pixels	752 x 480 pixels
Gray scale	256
Image recording	real-time , Program-controlled or triggered externally

Functional safety related parameters

MTTF _d	40.5 a
Mission Time (T _M)	8 a
Diagnostic Coverage (DC)	0 %

Indicators/operating means

Operating display	LED green: Ready for operation
LED indicator	for good/poor reading

Electrical specifications

Operating voltage	U _B	24 V DC ± 15% , PELV
No-load supply current	I ₀	max. 250 mA
Power consumption	P ₀	6 W

Interface

Interface type	serial , RS 232
Transfer rate	max. 115.2 kBit/s
Cable length	max. 30 m

Interface 1

Interface type	Ethernet
Protocol	TCP/IP
Transfer rate	100 MBit/s
Cable length	max. 30 m

Input

Input voltage	to be applied externally 24 V ± 15% PELV
Number/Type	Trigger, permanent trigger, teach match code
Input current	approx. 10 mA at 24 V DC
Switching threshold	low: < 10 V, high: > 15 V
Cable length	max. 30 m

Output

Number/Type	GOOD, BAD, Matchcode
Switching type	PNP
Switching voltage	to be applied externally 24 V ± 15 % PELV
Switching current	100 mA each output
Cable length	max. 30 m

Ambient conditions

Ambient temperature	0 ... 45 °C (32 ... 113 °F)
Storage temperature	-20 ... 60 °C (-4 ... 140 °F)

Mechanical specifications

Protection degree	IP65
Connection	8-pin, M12x1 connector, standard (supply+IO) , 5-pin, M12x1 socket, standard (RS 232) , 4-pin, M12x1 socket, standard (LAN)
Material	
Housing	PC/ABS
Installation	4 x M6 threading
Mass	approx. 160 g

Compliance with standards and directives

Standard conformity	
Noise immunity	EN 61326-1
Emitted interference	EN 61000-6-4
Protection degree	EN 60529

Accessories**V19-G-2M-PUR-ABG**

Cable socket, M12, 8-pin, shielded, PUR cable

V15S-G-5M-PUR-ABG

Male cordset, M12, 5-pin, shielded, PUR cable

V1SD-G-2M-PUR-ABG-V45-G

Connection cable, M12 to RJ-45, PUR cable 4-pin, CAT5e

V1SD-G-2M-PUR-ABG-V45X-G

Connection cable, M12 to RJ-45, PUR cable 4-pin, CAT5e

V19-G-ABG-PG9

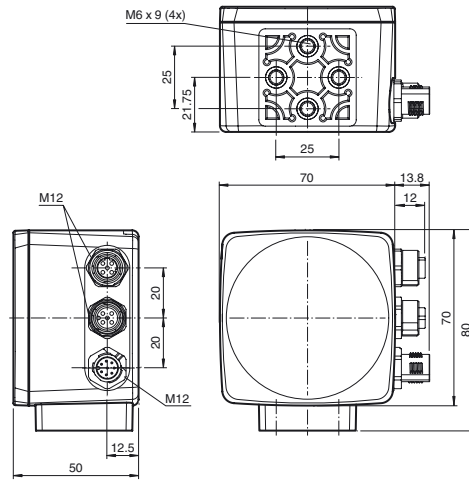
Cable socket, M12, 8-pin, shielded, non pre-wired

Other suitable accessories can be found at www.pepperl-fuchs.com

Laser class

IEC 60825-1:2007

Dimensions



Release date: 2012-10-29 07:54 Date of issue: 2012-10-29 246343_eng.xml