

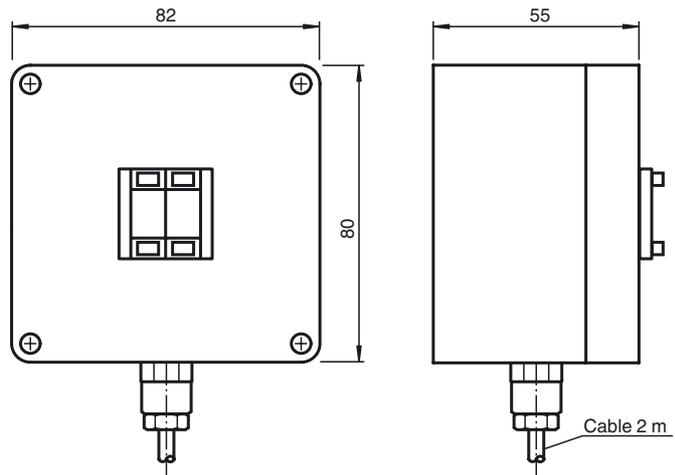


Model Number

FP100

Remote potentiometer

Dimensions



Technical data

Mechanical specifications

Connection	2 m fixed cable
Connection possibilities	to be connected to the emitter