



Model Number

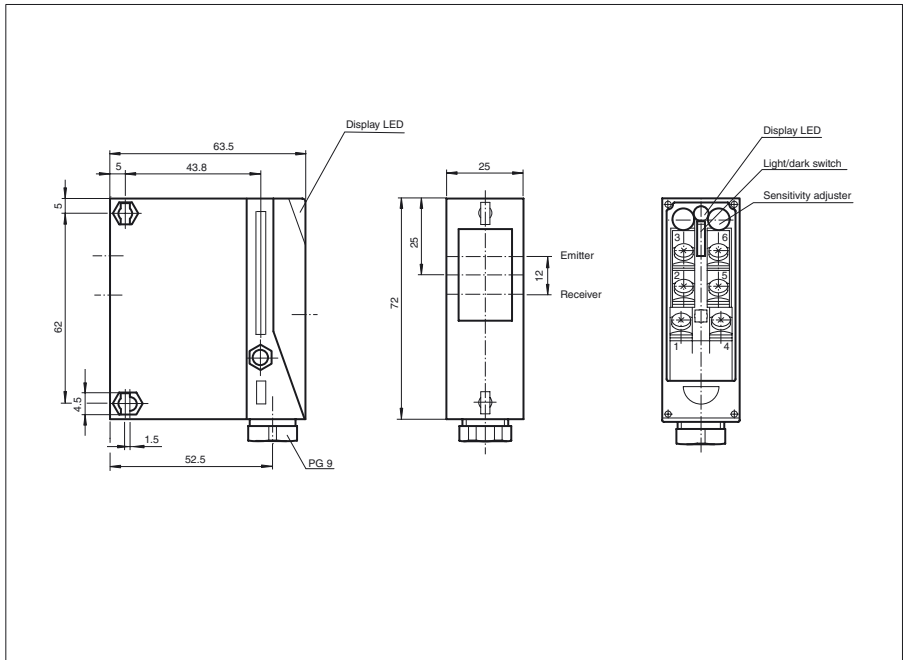
RLK25-8-800/116

Diffuse mode sensor
with terminal compartment

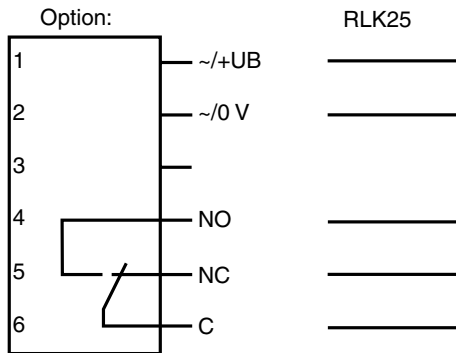
Features

- Compact design
- Sensing range adjuster
- Supplied with mounting accessory

Dimensions



Electrical connection



- = Light on
- = Dark on

Release date: 2010-04-22 18:08 Date of issue: 2010-04-22 4 19222_ENG.xml

Technical data**General specifications**

Detection range	10 ... 800 mm
Adjustment range	300 ... 800 mm
Reference target	standard white 100 mm X 100 mm
Light source	IREd
Light type	modulated infrared light
Approvals	CE, cULus
Diameter of the light spot	approx. 70 mm at a distance of 2000 mm
Angle of divergence	approx. 2 °
Ambient light limit	30000 Lux
Accessories provided	Mounting bracket

Functional safety related parameters

MTTF _d	740 a
Mission Time (T _M)	20 a
Diagnostic Coverage (DC)	0 %

Indicators/operating means

Function display	LED green, lights up with receiver lit, flashes when falling short of the stability control
Controls	sensing range adjuster
Controls	Light/dark switch

Electrical specifications

Operating voltage	U _B	12 ... 240 V AC/DC
Power consumption	P ₀	3 VA

Output

Switching type	Light/Dark ON switchable	
Signal output	1 relay, 1 alternator	
Switching voltage	max. 240 V AC	
Switching current	max. 2 A	
Switching frequency	f	25 Hz
Response time		2 ms

Standard conformity

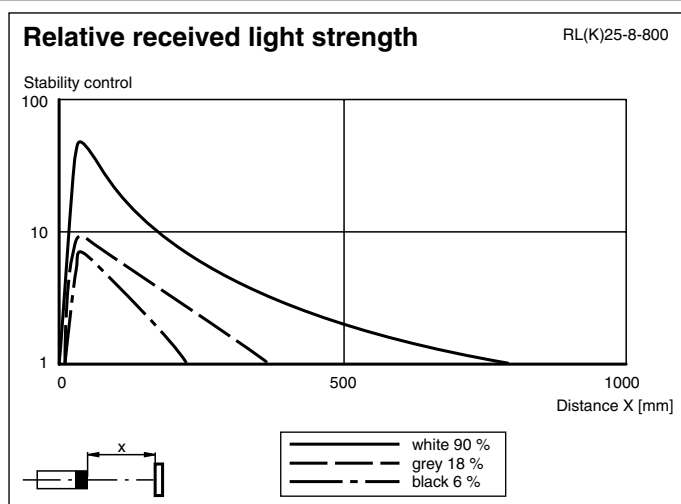
Standards	EN 60947-5-2
-----------	--------------

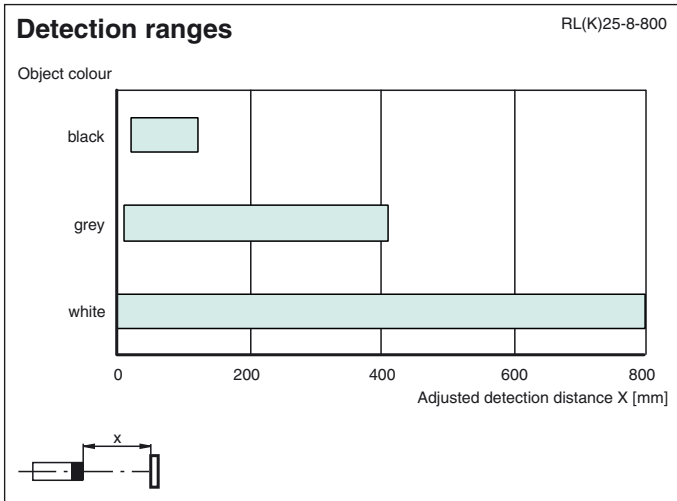
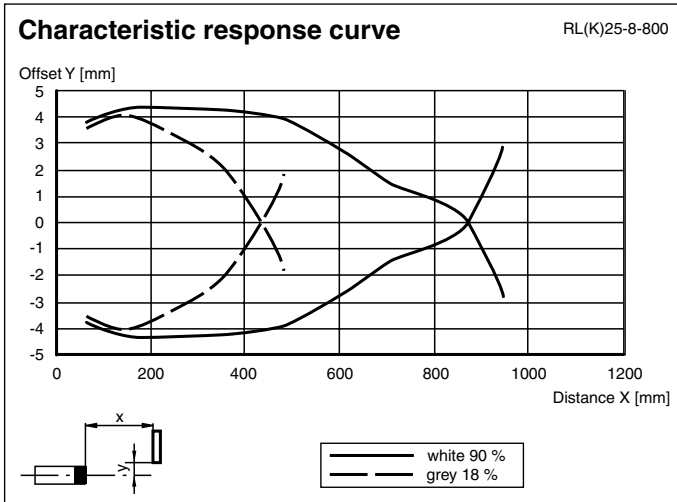
Ambient conditions

Ambient temperature	-20 ... 60 °C (-4 ... 140 °F)
Storage temperature	-20 ... 75 °C (-4 ... 167 °F)

Mechanical specifications

Protection degree	IP65
Connection	terminal compartment
Material	
Housing	Terluran GV15
Optical face	glass
Mass	100 g

Curves/Diagrams



Release date: 2010-04-22 18:08 Date of issue: 2010-04-22 4 19222_ENG.xml