



Model Number

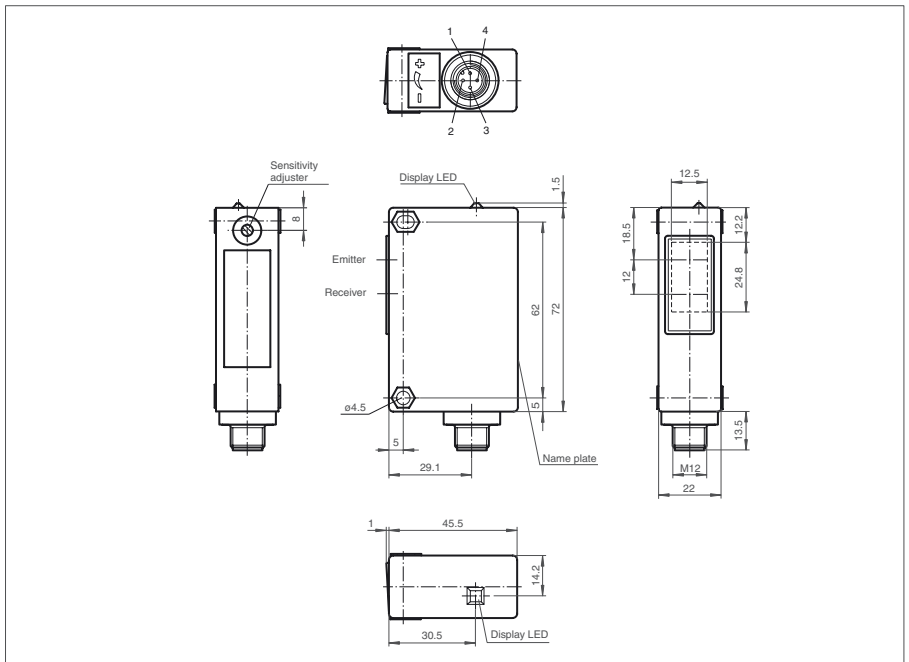
RL32-8-800/47/73c

Diffuse mode sensor
with 4-pin, M12 x 1 plastic connector

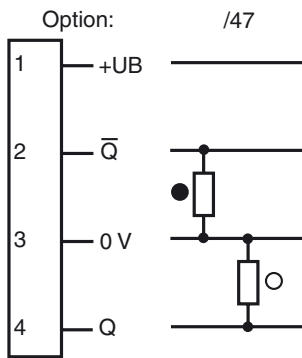
Features

- Sleek design, especially for storage and conveyor systems
- Excellent optical performance data
- Scratch-resistant and solvent resistant glass lens

Dimensions



Electrical connection



○ = Light on
● = Dark on

Release date: 2008-05-20 08:48 Date of issue: 2011-01-26 419225_ENG.xml

Technical data**General specifications**

Detection range	10 ... 800 mm
Adjustment range	300 ... 800 mm
Light source	IREDD
Light type	modulated infrared light
Approvals	CE
Diameter of the light spot	approx. 50 mm at 800 mm sensor range
Angle of divergence	2 °
Ambient light limit	50000 Lux

Indicators/operating means

Function display	LED yellow, lights up with receiver lit
Controls	Detection range adjuster

Electrical specifications

Operating voltage	U_B	10 ... 30 V DC
Ripple		10 %
No-load supply current	I_0	40 mA

Output

Switching type	light on	
Signal output	2 PNP, complementary, short-circuit protected, reverse polarity protected	
Switching voltage	max. 30 V DC	
Switching current	max. 200 mA	
Switching frequency	f	250 Hz
Response time		2 ms

Standard conformity

Standards	EN 60947-5-2
-----------	--------------

Ambient conditions

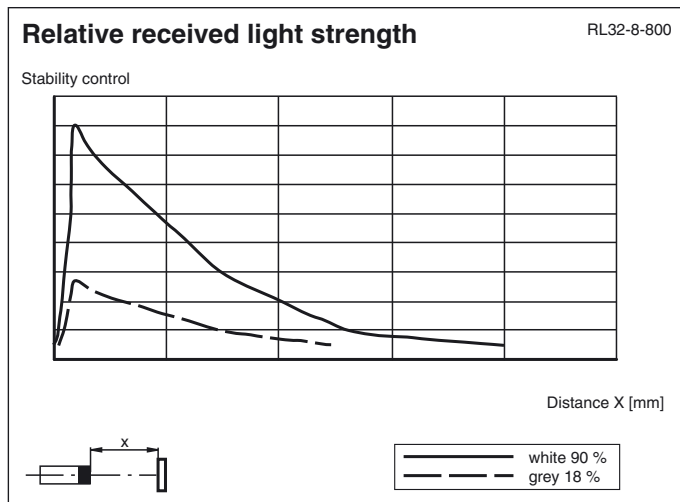
Ambient temperature	-20 ... 60 °C (-4 ... 140 °F)
Storage temperature	-20 ... 60 °C (-4 ... 140 °F)

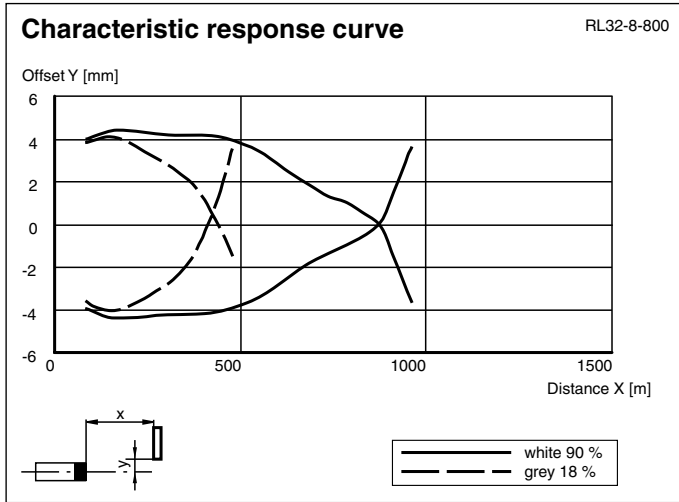
Mechanical specifications

Protection degree	IP65
Connection	Plastic connector M12 x 1, 4-pin
Material	
Housing	Terluran GV15
Optical face	glass
Mass	60 g

Approvals and certificates

CCC approval	Products with a maximum operating voltage of ≤ 36 V do not bear a CCC marking because they do not require approval.
--------------	--

Curves/Diagrams



Release date: 2008-05-20 08:48 Date of issue: 2011-01-26 419225_ENG.xml