



Model Number

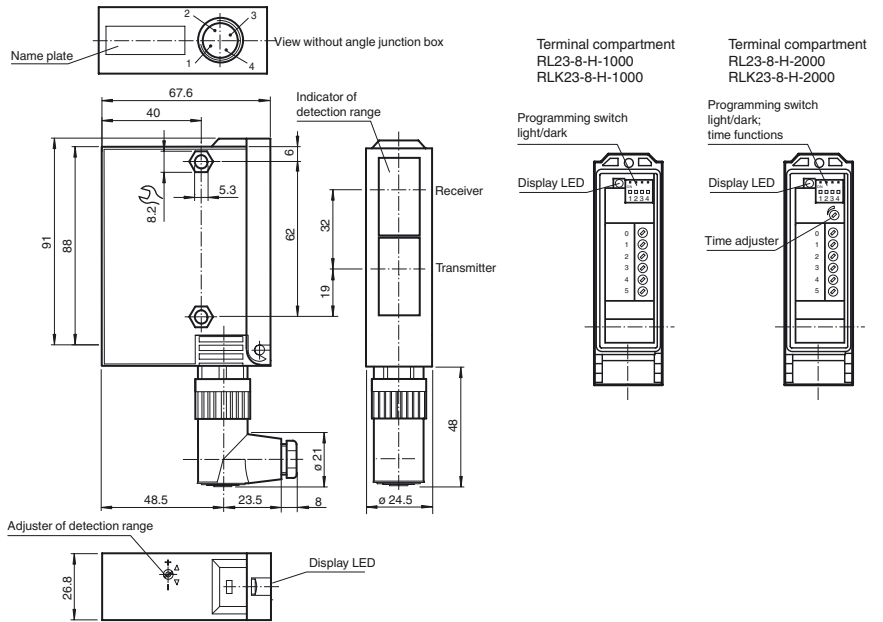
RLK23-8-H-1000-IR/31/74a

Background suppression sensor with 4-pin, M18 x 1 plastic connector

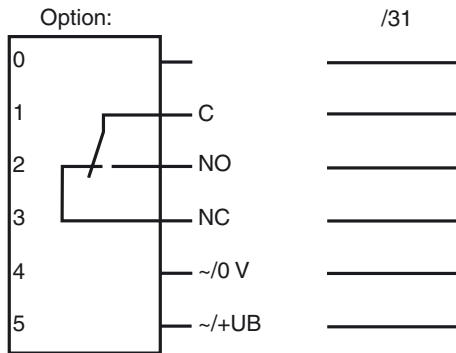
Features

- Adjustable background suppression
- Infrared light
- Sturdy plastic housing
- Optical surface made of scratch-resistant glass

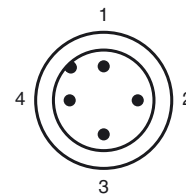
Dimensions



Electrical connection



Pinout



Release date: 2011-01-06 14:01 Date of issue: 2011-01-06 419488_ENG.xml

Subject to modifications without notice

Pepperl+Fuchs Group
www.pepperl-fuchs.com

USA: +1 330 486 0001
fa-info@us.pepperl-fuchs.com

Germany: +49 621 776-4411
fa-info@pepperl-fuchs.com

Copyright Pepperl+Fuchs
Singapore: +65 6779 9091
fa-info@sg.pepperl-fuchs.com

Technical data**General specifications**

Detection range	50 ... 1000 mm
Detection range min.	50 ... 150 mm
Detection range max.	50 ... 1000 mm
Light source	IREd
Light type	modulated infrared light
Black/White difference (6%/90%)	< 10 %
Diameter of the light spot	25 mm at 1000 mm sensor range
Angle of divergence	1.5 °
Ambient light limit	12000 Lux

Functional safety related parameters

MTTF _d	850 a
Mission Time (T _M)	20 a
Diagnostic Coverage (DC)	0 %

Indicators/operating means

Function display	LED yellow, lights up with receiver lit
Controls	Programming switch for light/dark switching
Controls	Detection range adjuster

Electrical specifications

Operating voltage	U _B	12 ... 240 V AC , 10 ... 30 V DC (automatic adaption to +UB)
Power consumption	P ₀	3 VA

Output

Switching type	light/dark on	
Signal output	1 relay output, 1 alternator	
Switching voltage	max. 240 V AC	
Switching current	max. 2 A	
Switching frequency	f	10 Hz
Response time	50 ms	

Ambient conditions

Ambient temperature	-20 ... 60 °C (-4 ... 140 °F)
Storage temperature	-20 ... 75 °C (-4 ... 167 °F)

Mechanical specifications

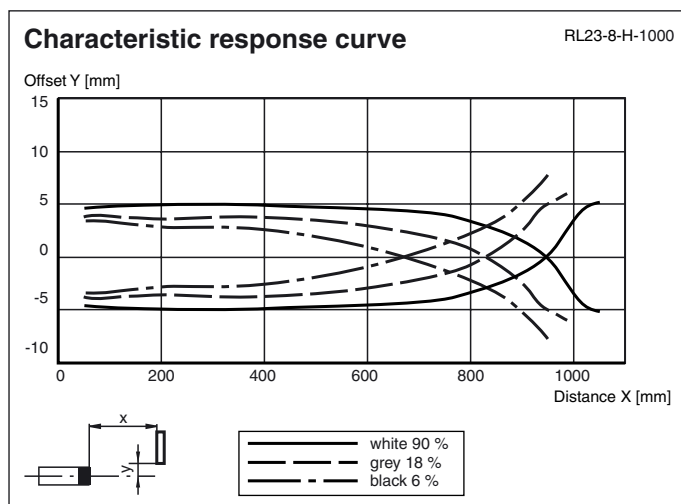
Protection degree	IP65
Connection	Connector M18 x 1, 4-pin with unwired angled cable socket
Material	
Housing	Terluran GV15
Optical face	glass
Mass	180 g

Compliance with standards and directives

Standard conformity	
Product standard	EN 60947-5-2:2007 IEC 60947-5-2:2007

Approvals and certificates

UL approval	cULus
CCC approval	Certified by China Compulsory Certification (CCC)

Curves/Diagrams**Accessories****OMH-05**

Mounting aid for round steel ø 12 mm or sheet 1.5 mm ... 3 mm

OMH-07

Mounting aid for round steel ø 12 mm or sheet 1.5 mm ... 3 mm

OMH-21

Mounting bracket

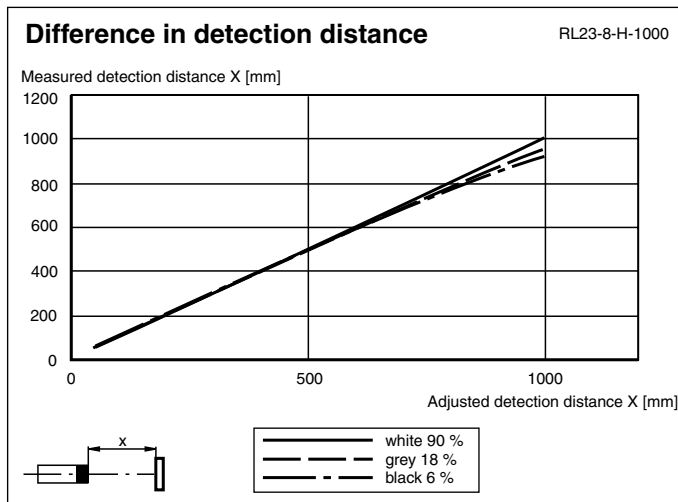
OMH-22

Mounting bracket

OMH-RLK29-HW

Mounting bracket for rear wall mounting

Other suitable accessories can be found at www.pepperl-fuchs.com



Light/Dark switch

ON	Dark on
ON	Light on