



Model Number

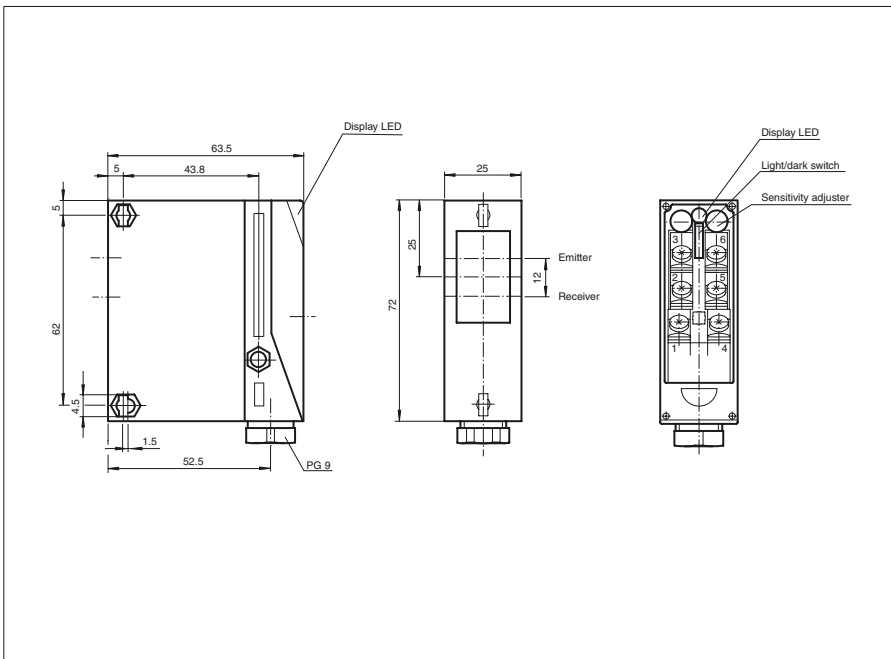
RL25-8-H-300/49/116

Background suppression sensor with terminal compartment

Features

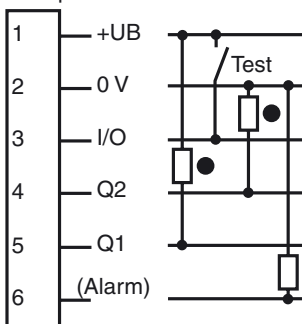
- Compact design
- Pre-fault indication and output
- Sensing range adjuster and light/dark switch

Dimensions



Electrical connection

Option: /49



- = Light on
- = Dark on

Release date: 2007-09-21 11:08 Date of issue: 2011-01-26 419497_ENG.xml

Technical data**General specifications**

Detection range	20 ... 300 mm
Detection range min.	10 ... 100 mm
Detection range max.	20 ... 300 mm
Light source	IRED
Light type	modulated infrared light
Black/White difference (6 %/90 %)	< 10 %
Approvals	CE, cULus
Diameter of the light spot	approx. 10 mm at a distance of 300 mm
Angle of divergence	approx. 2 °
Ambient light limit	50000 Lux

Indicators/operating means

Function display	LED green, lights up with receiver lit , flashes when falling short of the stability control
Controls	Light/Dark switch
Controls	Detection range adjuster

Electrical specifications

Operating voltage	U_B	10 ... 30 V DC
Ripple		10 %
No-load supply current	I_0	40 mA

Input

Test input	emitter deactivation at $+U_B$
------------	--------------------------------

Output

Output of the pre-fault indication	1 PNP, inactive when falling short of the stability control	
Switching type	light/dark on	
Signal output	1 PNP and 1 NPN short-circuit protected, reverse polarity protected	
Switching voltage	max. 30 V DC	
Switching current	max. 200 mA	
Switching frequency	f	50 Hz
Response time		10 ms

Standard conformity

Standards	EN 60947-5-2
-----------	--------------

Ambient conditions

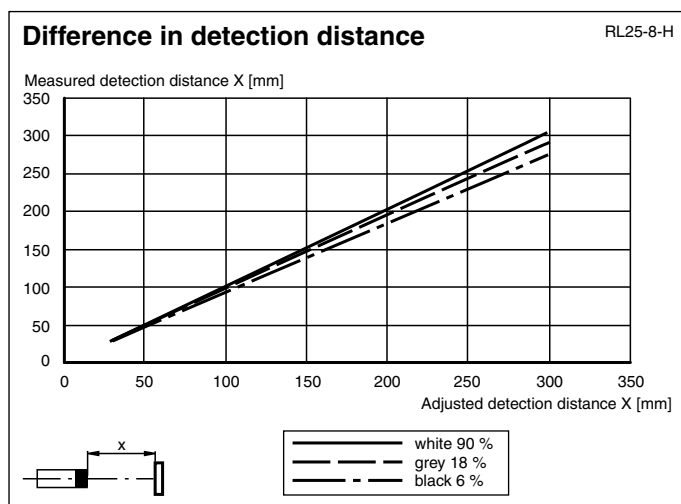
Ambient temperature	-20 ... 60 °C (-4 ... 140 °F)
Storage temperature	-20 ... 75 °C (-4 ... 167 °F)

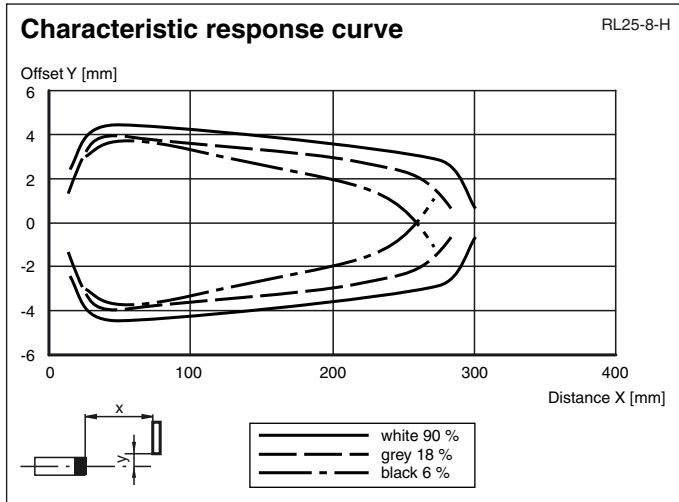
Mechanical specifications

Protection degree	IP65
Connection	terminal compartment
Material	
Housing	Terluran GV15
Optical face	glass
Mass	90 g

Approvals and certificates

CCC approval	Products with a maximum operating voltage of ≤ 36 V do not bear a CCC marking because they do not require approval.
--------------	--

Curves/Diagrams



Release date: 2007-09-21 11:08 Date of issue: 2011-01-26 419497_ENG.xml