



**Model Number**

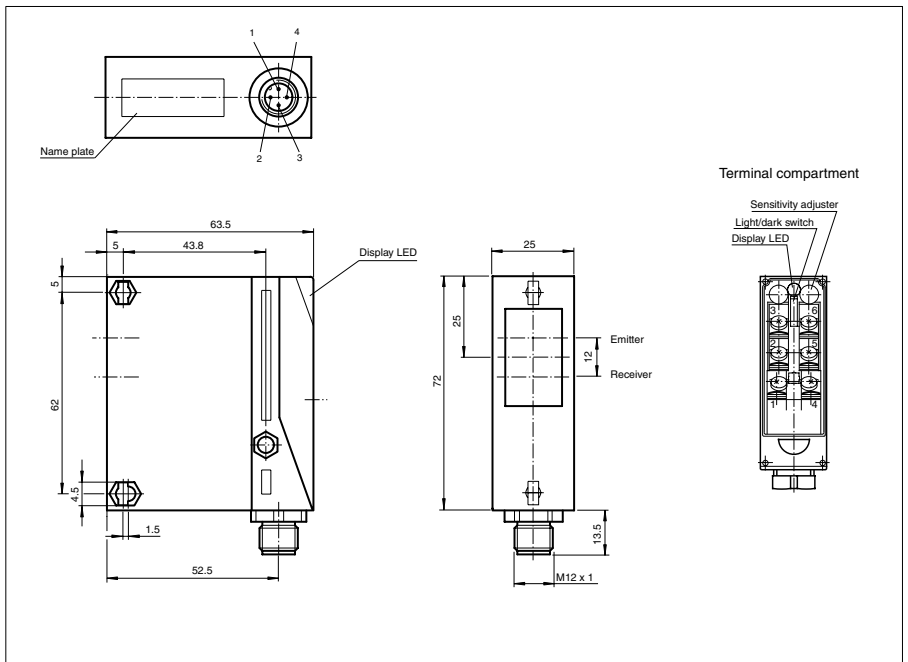
**RL25-8-H-300/49/92**

Background suppression sensor with M12, 4-pin metal connector

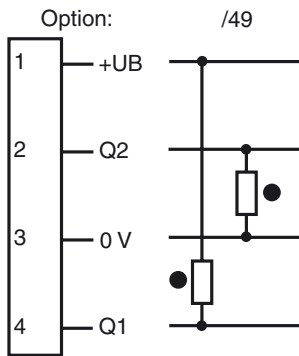
**Features**

- Compact design
- Pre-fault indication
- Sensing range adjuster and light/dark switch

**Dimensions**



**Electrical connection**



○ = Light on  
● = Dark on

Release date: 2007-09-21 11:08 Date of issue: 2011-01-26 419499\_ENG.xml

Subject to modifications without notice

Pepperl+Fuchs Group  
www.pepperl-fuchs.com

USA: +1 330 486 0001  
fa-info@us.pepperl-fuchs.com

Germany: +49 621 776-4411  
fa-info@pepperl-fuchs.com

Copyright Pepperl+Fuchs

Singapore: +65 6779 9091  
fa-info@sg.pepperl-fuchs.com

**Technical data****General specifications**

Detection range	20 ... 300 mm
Detection range min.	10 ... 100 mm
Detection range max.	20 ... 300 mm
Light source	IRED
Light type	modulated infrared light
Black/White difference (6 %/90 %)	< 10 %
Approvals	CE, cULus
Diameter of the light spot	approx. 10 mm at a distance of 300 mm
Angle of divergence	approx. 2 °
Ambient light limit	50000 Lux

**Indicators/operating means**

Function display	LED green, lights up with receiver lit , flashes when falling short of the stability control
Controls	Light/Dark switch
Controls	Detection range adjuster

**Electrical specifications**

Operating voltage	$U_B$	10 ... 30 V DC
Ripple		10 %
No-load supply current	$I_0$	40 mA

**Output**

Switching type	light/dark on	
Signal output	1 PNP and 1 NPN short-circuit protected, reverse polarity protected	
Switching voltage	max. 30 V DC	
Switching current	max. 200 mA	
Switching frequency	$f$	50 Hz
Response time		10 ms

**Standard conformity**

Standards	EN 60947-5-2
-----------	--------------

**Ambient conditions**

Ambient temperature	-20 ... 60 °C (-4 ... 140 °F)
Storage temperature	-20 ... 75 °C (-4 ... 167 °F)

**Mechanical specifications**

Protection degree	IP65
Connection	M12 connector, 4-pin
Material	
Housing	Terluran GV15
Optical face	glass
Mass	90 g

**Approvals and certificates**

CCC approval	Products with a maximum operating voltage of $\leq 36$ V do not bear a CCC marking because they do not require approval.
--------------	--

**Curves/Diagrams**