



Model Number

RTS 8P DB9
Ethernet DeviceServer

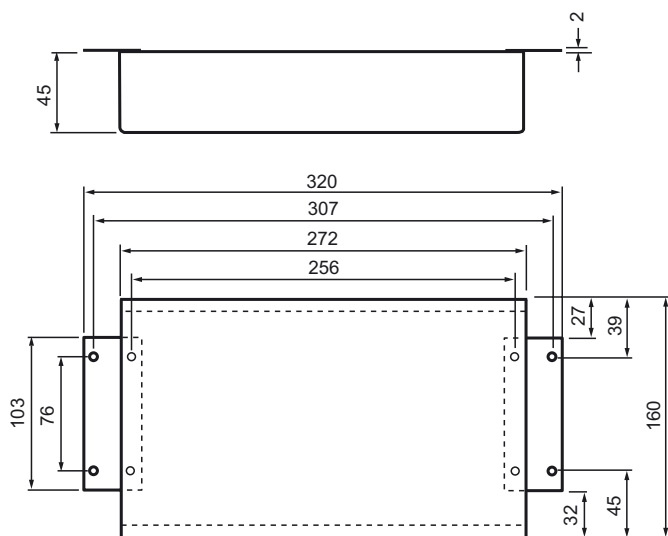
Features

- Two Ethernet connectors with built in hub
- Converts an RS 232, RS422, or RS485 device to Ethernet TCP/IP
- Metal housing
- Web-based configuration
- Modbus/TCP protocol integrated
- Port Mirroring

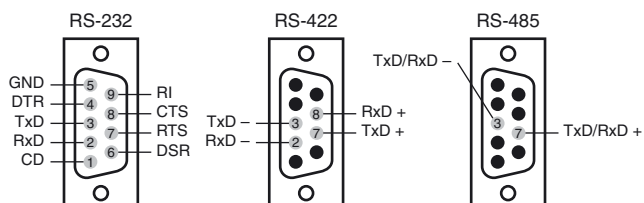
Accessories

- V45-G-10M-V45-G**
Network cable
- V45-G**
Non pre-wired cable connector

Dimensions



Electrical connection



Technical data

General specifications	
Description	Connects up to 8 serial devices to ethernet
Number of read/write heads	
Indicators/operating means	
LED Tx	Green: Data being transmitted
LED PWR	LED solid: Has power and has completed boot cycle LED blinking: booting up
LED Link/Act	Red: Working ethernet connection
LED 100 MBit	Red: transfer rate 100 MBit/s Off: transfer rate 10 MBit/s
Electrical specifications	
Rated operational voltage	U _e ... 24 V DC , 110 / 220 Power Supply included with delivery
Current consumption	290 mA @ 24 V DC
Power consumption	P ₀ 7 W
Interface	
Connection of	Ethernet
Physical	2 x RJ-45: Ethernet RJ-45 Connector
Transfer rate	10 MBit/s or 100 MBit/s
Interface 2	
Interface type	RS 232, RS 485, RS 422
Physical	8 x 9-pin Sub-D connector
Protocol	ASCII
Transfer rate	300 Bit/s ... 230.4 kBit/s
Ambient conditions	

Release date: 2010-04-26 22:51 Date of issue: 2010-04-26 905030_ENG.xml



Ambient temperature	-37 ... 74 °C (-34.6 ... 165.2 °F)
Storage temperature	-40 ... 85 °C (-40 ... 185 °F)
Climatic conditions	air humidity max. 5 ... 95 %
Mechanical specifications	
Protection degree	IP20
Material	
Housing	Metal sheet (steel), black-coated
Installation	panel mounting
Mass	approx. 3393 g

Release date: 2010-04-26 22:51 Date of issue: 2010-04-26 905030_ENG.xml