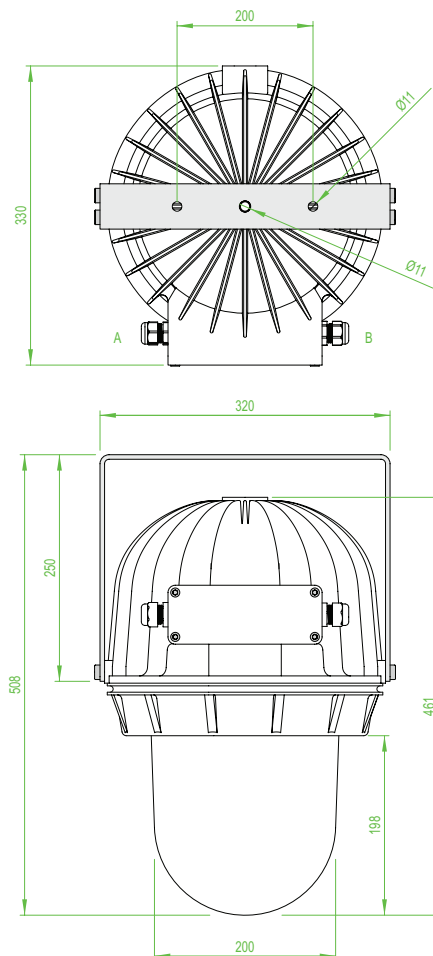




Features

- Power 150 W
- Lamp: sodium or metal halide
- Installation in Zone 1, Zone 2, Zone 21 and Zone 22
- Ex de certified
- High corrosion resistance
- Ex e chamber for cabling
- Glass dome retaining clip assists lamp change
- Lightweight copper-free aluminium housing

Dimensions (mm)



Technical data

Electrical specifications

| | |
|-------------------|--|
| Operating voltage | 220 ... 254 V 50/60 Hz |
| Operating current | 0.8 A |
| Terminal capacity | custom clamp terminals |
| Control gear | magnetic choke with associated electronic igniter |
| Power factor | 0.9 |
| Fitting type | Pendant light fitting |
| Lamps | elliptical high pressure sodium or metal halide , not included with delivery |
| Number of lamps | 1 |
| Power | 150 W |
| Lampholder | E40 |

Conformity

| | |
|-------------------|----------------------------|
| Protection degree | IP65 according to EN 60529 |
|-------------------|----------------------------|

Ambient conditions

| | |
|---------------------|-------------------------------|
| Ambient temperature | -20 ... 55 °C (-4 ... 131 °F) |
|---------------------|-------------------------------|

Mechanical specifications

| | |
|-------------------------|--|
| Protection degree | IP66 |
| Cable entry | metric threaded |
| Number of cable entries | 1 x M20 at position A fitted with Ex d sealing plug 1 x M20 at position B fitted with Ex d sealing plug |

Material

| | |
|------------|--|
| Cast parts | aluminum |
| Lamp cover | toughened glass |
| Finish | cast parts: epoxy powder coated, RAL7032 |
| Seal | silicone O-ring |
| Mass | approx. 19 kg |
| Mounting | 5 mm stainless steel stirrup bracket |

| | |
|---|--|
| Grounding | internal and external grounds |
| Data for application in connection with Ex-areas | |
| EC-Type Examination Certificate | BASEEFA 07 ATEX 0221 |
| Group, category, type of protection, temperature class | ⊕ II 2 GD Ex de IIC T4, Ex tD A21 IP66 T135°C |
| International approvals | |
| IECEX approval | IECEX BAS 07.0061 |
| GOST-R approval | GOST-R B01007 |
| General information | |
| Supplementary information | EC-Type Examination Certificate, Statement of Conformity, Declaration of Conformity, Attestation of Conformity and instructions have to be observed where applicable. For information see www.pepperl-fuchs.com . |