

OJ2000+U2+E123

Reflection light scanner

OJ2000+U2+E123

with terminal compartment

CE



- ◆ Sensing range up to 2 m
- ◆ Light/dark ON, switchable
- ◆ Pre-fault indication and output (dynamic and static)
- ◆ Protected against mutual interference
- ◆ Position of the sensor head adjustable
- ◆ Protection degree IP67
- ◆ Scratch resistant mineral glass lens

Release date: releasedate Date of issue: 2005-07-14 T2088_ENG.xml

General specifications

Detection range	0 ... 2000 mm
Light source	LED
Approvals	CE
Adjustment range	150 ... 2000 mm
Reference target	standard white 200 mm x 200 mm
Light type	infrared, modulated light
Ambient light limit	10000 Lux
Temperature influence	≤ 0.5 mm/K

Indicators/operating means

Operating display	LED green
Function display	LED yellow: switching state LED red: stability control (flashing)
Operating elements	sensitivity adjuster
Operating elements	Light/dark changeover switch selection of the operating frequency selection of the switching frequency pulse extension stability control dynamic/static

Electrical specifications

Operating voltage	10 ... 30 V DC
Ripple	10 %
No-load supply current I_0	≤ 45 mA
Time delay before availability t_v	≤ 20 ms

Output

Output of the pre-fault indication	1 push-pull output pnp NO / npn NC (10 mA)
Switching type	light/dark switching
Signal output	1 push-pull output npn/pnp
Switching voltage	max. 30 V DC
Switching current	≤ 100 mA
Voltage drop U_d	≤ 2.5 V
Switching frequency f	≤ 1.5 kHz / 200 Hz switchable
Response time	≤ 0.3 ms at 1.5 kHz ≤ 2.5 ms at 200 Hz
Repeat accuracy R	≤ 0.5 % of the sensing range
Timer function	pulse extension 20 ms, switchable

Standard conformity

Standards	EN 60947-5-2
-----------	--------------

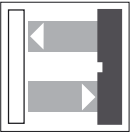
Ambient conditions

Ambient temperature	-25 ... 70 °C (248 ... 343 K)
Storage temperature	-40 ... 80 °C (233 ... 353 K)

Mechanical specifications

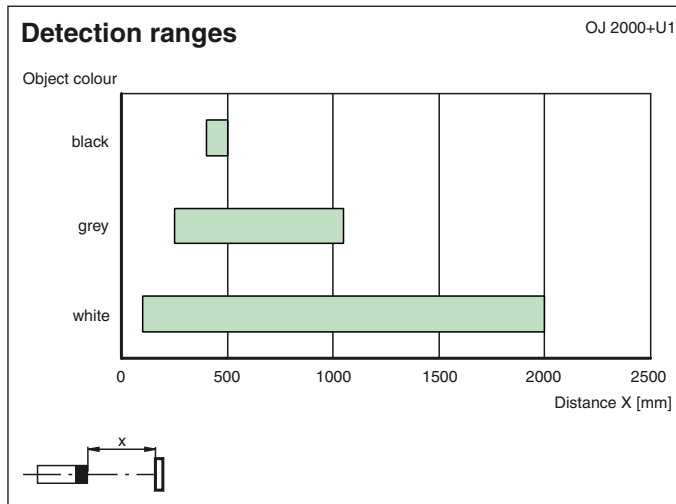
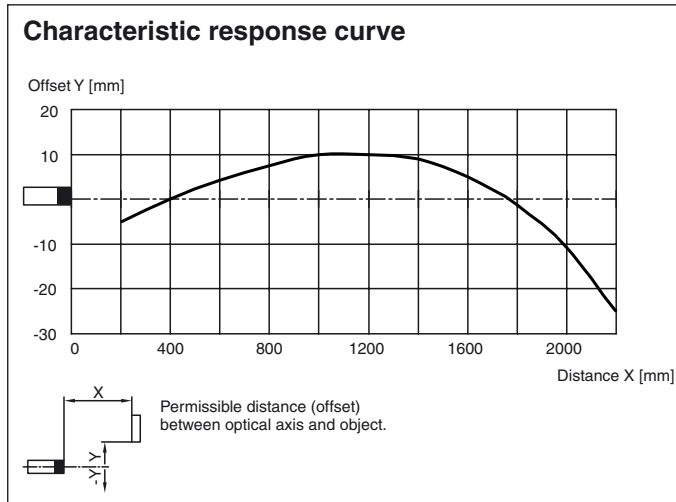
Protection degree	IP67
Connection	terminal compartment 1/2 NPT, conductor cross-section ≤ 2.5 mm ²
Material	
Housing	PBT
Optical face	Scratch resistant mineral glass lens

Release date: releasedate Date of issue: 2005-07-14 T2088_ENG.xml

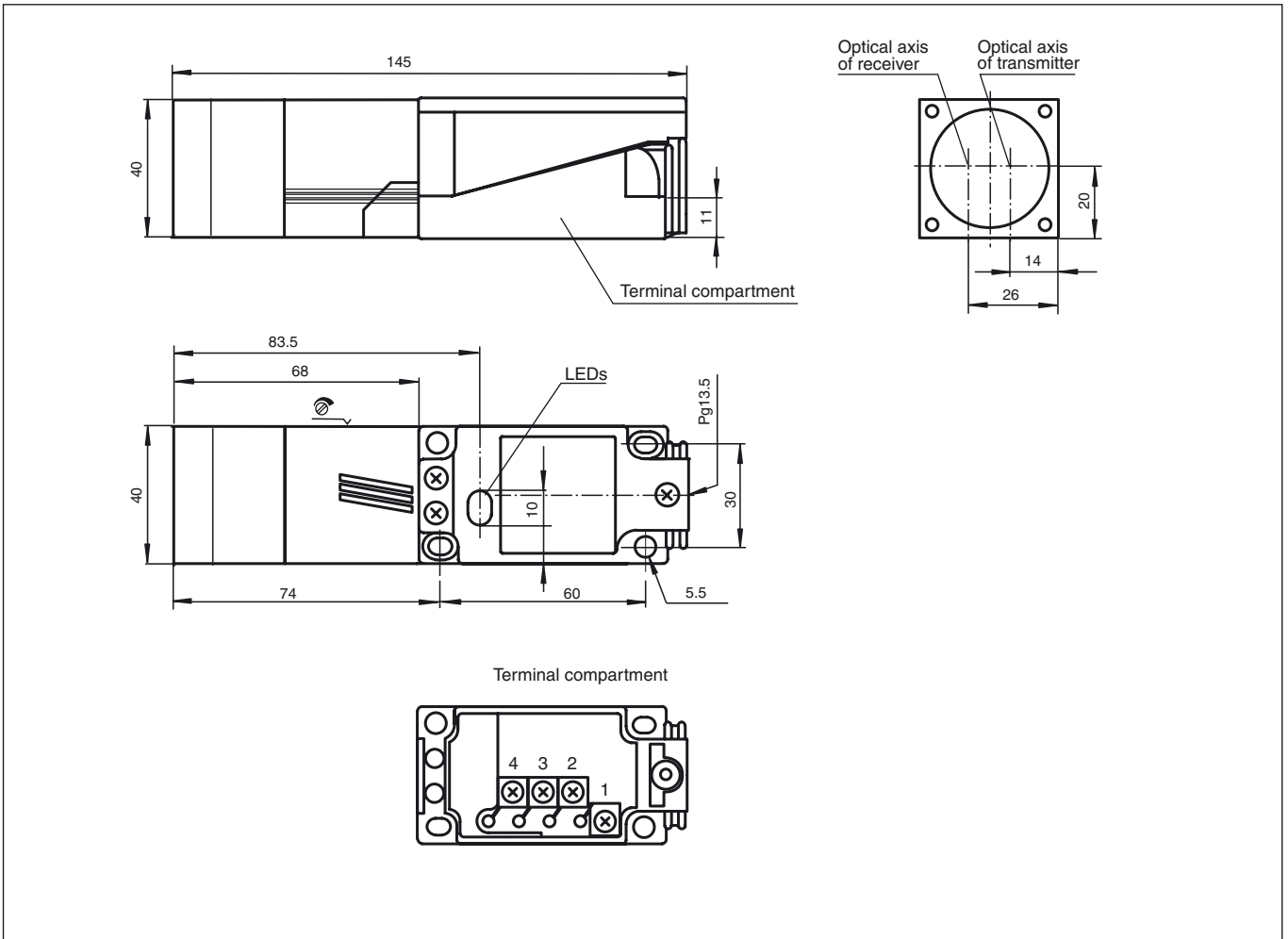


OJ2000+U2+E123

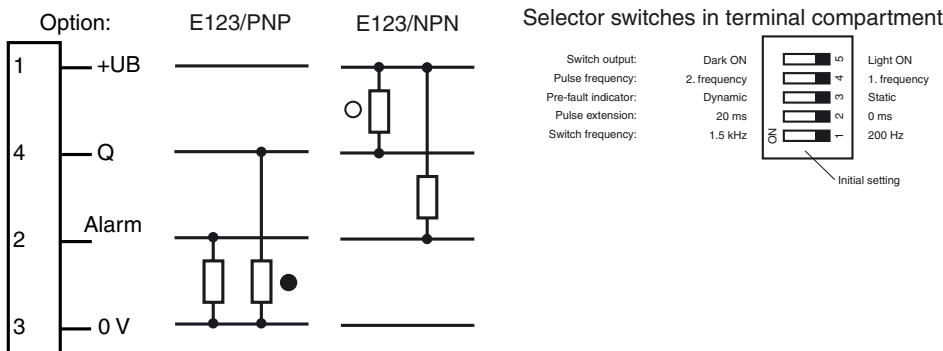
Curves/Diagrams



Dimensions



Electrical connection



Release date: releasedate Date of issue: 2005-07-14 T2088_ENG.xml

○ = light on, ● = dark on