

## Features

- KVM Monitor
- 22" Monitor (55,9 cm)
- Data transfer via KVM extender
- Adapted for distances up to 300 m

## Application

VisuNet GMP devices are operator workstations for use in GMP conditions and come with a manufacturer's declaration of conformity to this effect. Typical application locations are the pharmaceutical and food industries as well as the production of cosmetics, flavour and nutrition.

The operator workstations are available as Direct Monitors, KVM Monitors, Remote Monitors and as Panel PCs.

The KVM Monitors can be connected to a Host PC via an integrated KVM extender, which ensures data transmission over large distances.

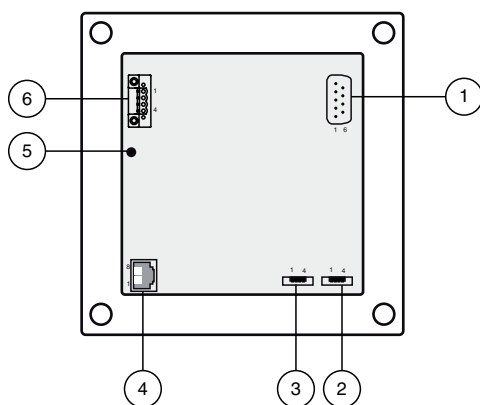
The connection of the KVM Monitors to the Host PC is potential-free.

KVM Monitors support the cost-effective visualization of processes in greater distances from the Host PC.



CE

## Connection

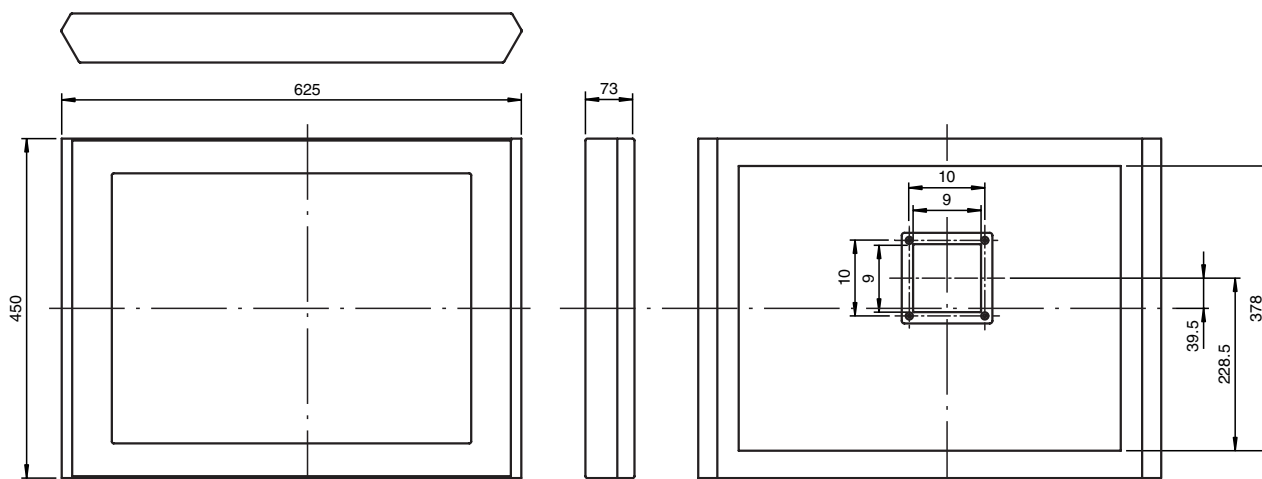


- 1 Serial interface RS 232
- 2 USB interface (mouse)\*
- 3 USB interface (keyboard)\*
- 4 RJ45 interface (KVM transmission)
- 5 Ground connection (M4)
- 6 Phoenix DFK-MSTB 2,5/ 4-GF-5,08

\* Only for use with keyboard/mouse

<b>General specifications</b>	
Type	KVM Monitor
<b>Supply</b>	
Rated voltage	24 V DC
Input voltage range	20 ... 30 V <sub>DC</sub>
Power consumption	75 W
<b>Indicators/operating means</b>	
Display	
Type	TFT, LCD
Screen diagonal	55.9 cm (22")
Resolution	1680 x 1050 pixel
Color depth	16.7 Mio.
Contrast	1000:1
Brightness	300 cd/m <sup>2</sup>
Life span	50.000 h @ 25 °C
Input devices	Analog resistive touchscreen (optional) , Keyboard with integrated mouse functionality: optical trackball/touchpad/joystick versions available
<b>Interface</b>	
Interface type	2x USB (for keyboard/mouse connection) 1 x RS 232 (optional) 1x RJ45 (KVM transmission)
<b>Ambient conditions</b>	
Ambient temperature	0 ... 35 °C (32 ... 95 °F)
<b>Mechanical specifications</b>	
Protection degree	IP65
Material	
Surface	stainless steel 1.4301 / AISI 304
Surface quality	R <sub>a</sub> ≤ 0.8 μm
Mounting type	slim line housing several mounting types (pedestal, wall bracket, wall arm - each turnable or fix) available
Mass	14.5 kg
Dimensions	625 mm x 450 mm x 73 mm

**Dimensions**



**Accessories**

VisuNet GMP\*

Release date 2013-01-18 10:05 Date of issue 2013-01-18 t48761\_eng.xml

**Type code VisuNet GMP KM\***

Monitor Type	Screen Type	Protection	Board specification	Power supply	Housing frontplate version	Keyboard housing	Keyboard Mouse version	Keyboard Layout	Accessories	Options
<b>Monitor Type, Display size</b>										
<b>KM219</b>	KVM Monitor 19"									
<b>KM222</b>	KVM Monitor 22"									
<b>Screen Type</b>										
<b>E</b>	antiglare class front									
<b>T</b>	Touch screen resistive									
<b>Protection</b>										
<b>GP</b>	Industrial, non-ex version									
<b>Board Specification</b>										
<b>K1</b>	Integrated KVM, 2xUSB, 1xRS232. Analogue Cat.x cable transmission									
<b>Power supply</b>										
<b>DC</b>	24 V DC									
<b>Housing frontplate version</b>										
<b>SL2N</b>	Slim-Line stainless steel housing									
<b>Keyboard housing</b>										
<b>N</b>	no keyboard & mouse housing									
<b>R</b>	Keyboard antibacterial, pedestal mounting stainless steel									
<b>C</b>	90°-180° tiltable keyboard housing, stainless steel									
<b>Keyboard / Mouse version</b>										
<b>K0</b>	No keyboard									
<b>K4</b>	Foil keyboard & Touchpad									
<b>K6</b>	Foil keyboard & Joystick									
<b>K8</b>	Foil keyboard & optical Trackball									
<b>Keyboard Layout</b>										
<b>L0</b>	No keyboard									
<b>DE</b>	Keyboard Layout German									
<b>US</b>	Keyboard Layout US-international									
<b>FR</b>	Keyboard Layout French									
<b>XX</b>	More Keyboard layouts by request									
<b>Special accessories</b>										
<b>S0</b>	No special accessories									
<b>Options</b>										
<b>N</b>	No options									

Release date 2013-01-18 10:05 Date of issue 2013-01-18 t48761\_eng.xml