

Features

- Remote Monitor
- Can also be operated as Extended Desktop, Clone Monitor and with several host PCs
- 22" Monitor (55,9 cm)
- Network based data transfer via Ethernet (optional RDP, VNC or ICA)
- Adapted for distances up to 100 m

Application

VisuNet GMP devices are operator workstations for use in GMP conditions and come with a manufacturer's declaration of conformity to this effect. Typical application locations are the pharmaceutical and food industries as well as the production of cosmetics, flavour and nutrition.

The operator workstations are available as Direct Monitors, KVM Monitors, Remote Monitors and as Panel PCs.

The Remote Monitors are suitable for use in distributed control systems or can be connected to several Host PCs.

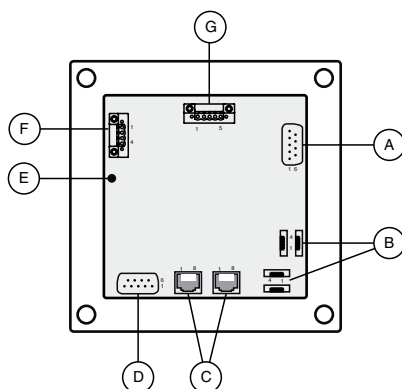
Remote Monitors can be operated as multimonitor systems (several RMs at one Host PC or several Host PCs at one RM) as well as in the form of Extended Desktops. Data is being transmitted Host PC either via RDP, VNC or ICA.

The network capabilities of the Remote Monitors ensure failure-free and pure digital data transmission. The operator workstations are administered via their IP addresses, so that topology changes can be made without hassle. No additional software installation is required.



CE

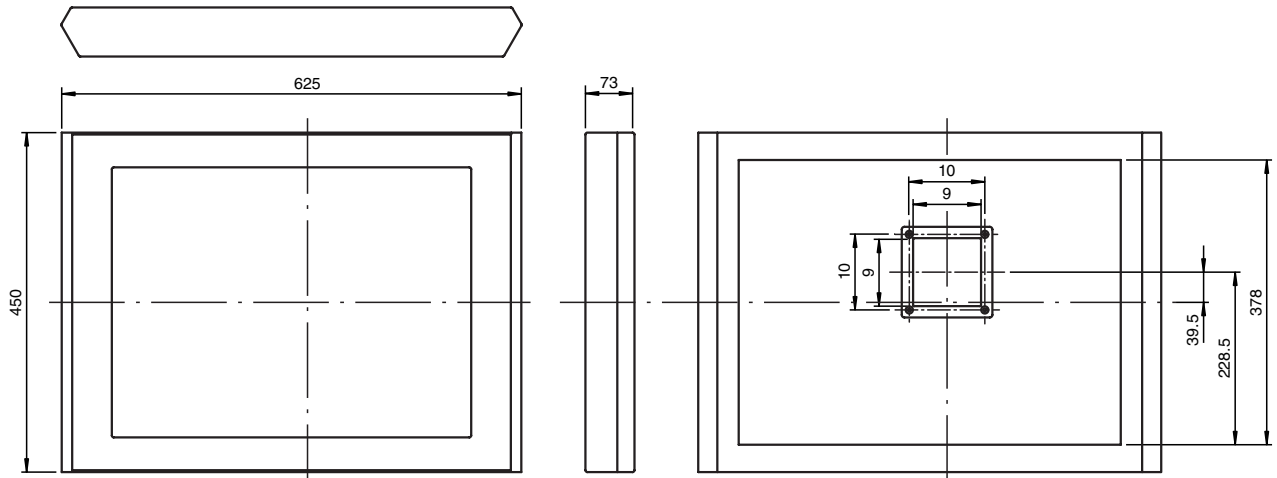
Connection



- A Serial interface RS 232 (COM3)
- B 4x USB (2x USB reserved for keyboard/mouse connection)
- C 2x Network RJ-45
- D Serial interface RS 232 (COM1)
- E Ground connection (M4)
- F Power supply socket AC / DC
- G Connection barcode handheld (COM6)

General specifications	
Type	Remote Monitor
Hardware	
Processor	Thin Client
Supply	
Rated voltage	24 V DC or 115 V AC / 230 V AC
Input voltage range	20 ... 30 V DC or 90 ... 240 V AC
Power consumption	max. 80 W
Indicators/operating means	
Display	
Type	TFT, LCD
Screen diagonal	55.9 cm (22")
Resolution	1680 x 1050 pixel
Color depth	16.7 Mio. (24 bit, true color)
Contrast	1000:1
Brightness	300 cd/m ²
Life span	50.000 h @ 25 °C
Input devices	Analog resistive touchscreen (optional) , Keyboard with integrated mouse functionality: optical trackball/touchpad/joystick versions available
Electrical specifications	
Inrush current	max. 100 A @ 240 VAC approx. 0,5 ms
Interface	
Interface type	2x RS 232 2x USB (Usage depends on chosen remote protocol) 2x USB (for keyboard/mouse connection) 2x Network RJ45
Software	
Operating system	Windows Embedded
Ambient conditions	
Ambient temperature	0 ... 45 °C (32 ... 113 °F)
Altitude	... 2000 m above MSL (version AC)
Mechanical specifications	
Protection degree	IP65
Material	
Surface	stainless steel 1.4301 / AISI 304
Surface quality	R _a ≤ 0.8 µm
Mounting type	slim line housing several mounting types (pedestal, wall bracket, wall arm - each turnable or fix) available
Mass	approx. 13 kg
Dimensions	625 mm x 450 mm x 73 mm
Compliance with standards and directives	
Standard conformity	
Electrical safety	EN 60950-1 Class I equipment

Dimensions



Accessories

PSCAN-D-1*-F2-*

Barcode reader

VisuNet GMP*

Type code VisuNet GMP RM*

Monitor Type	Screen Type	Protection	Board specification	Power supply	Housing frontplate version	Keyboard housing	Keyboard Mouse version	Keyboard Layout	Accessories	Options
Monitor Type, Display size										
RM219	Remote Monitor 19"									
RM222	Remote Monitor 22"									
Screen Type										
E	antiglare class front									
T	Touch screen resistive									
Protection										
GP	Industrial, non-ex version									
Board Specification										
T2	Thin Client, 2xRS 232, 2xUSB, 2xUSB (for keyboard/mouse connection), 2xNetwork RJ45									
Power supply										
DC	24 V DC									
AC	115/230 V AC									
Housing frontplate version										
SL2N	Slim-Line stainless steel housing									
Keyboard housing										
N	no keyboard & mouse housing									
R	Keyboard & mouse housing, stainless steel									
C	Keyboard & mouse housing, tiltable 90° -180°, stainless steel									
Keyboard / Mouse version										
K0	No keyboard									
K4	Foil keyboard & Touchpad									
K6	Foil keyboard & Joystick									
K8	Foil keyboard & optical Trackball									
Keyboard Layout										
L0	No keyboard									
DE	Keyboard Layout German									
US	Keyboard Layout US-international									
FR	Keyboard Layout French									
XX	More Keyboard layouts by request									
Special accessories										
S0	no special accessories									
S3	Wired barcode reader									
A3	Radio barcode reader (project basis)									
Options										
N	VisuNet Control Center, Basic Version RDP, Citrix ICA, VNC Client									
E	VisuNet Control Center full license, Multi Monitor, Clone Display									

Release date 2013-01-18 10:06 Date of issue 2013-01-18 t49053_eng.xml