



Model Number

PSM58

Features

- Industrial standard housing Ø58 mm
- PROFIBUS interface
- 30 Bit multiturn
- Speed transfer
- Extended scaling functions
- Programmable limit switches
- Commissioning mode
- Recessed hollow shaft

Description

This series of PROFIBUS rotary encoders is based on the modern fast technology of singleturn sampling and the mechanical gear box of the multiturn unit. The absolute encoder corresponds to the PROFIBUS profile for encoders, order no. 3.062. Operation is supported based on Class 1 and Class 2.

For operation based on Class 1, position data and diagnostic data bytes 1 ... 16 are available. In addition, the direction of the code can be selected as either cw ascending (clockwise rotation, code course ascending) or cw descending (clockwise rotation, code course descending).

If the rotary encoder is operated according to Class 2, additional functions to those from Class 1 are available. These include scaling of the resolution per revolution and the overall resolution, as well as the preset function. In addition, expanded diagnostic reporting is supported.

Besides, the rotary encoder offers extended functionalities such as speed transfer, extended scaling functions, programmable limit switches and a commissioning mode.

The removable connecting hood contains a slide switch for setting the terminating resistor and the rotary switches for setting the address. Assign a fixed address and bus termination to the encoder with this switches.

The absolute encoder is mounted directly onto the application shaft, without any coupling. Rotation of the absolute encoder is prevented by a torque rest.

Technical data

General specifications

Detection type photoelectric sampling

Functional safety related parameters

MTTF_d 70 a

Mission Time (T_M) 20 a

L_{10h} 1.9 E+11 at 6000 rpm and 20/40 N axial/radial shaft load

Diagnostic Coverage (DC) 0 %

Electrical specifications

Operating voltage U_B 10 ... 30 V DC

No-load supply current I₀ max. 230 mA at 10 V DC

max. 100 mA at 24 V DC

Power consumption P₀ max. 2.5 W

Linearity ± 2 LSB at 16 Bit, ± 1 LSB at 13 Bit, ± 0,5 LSB at 12 Bit

Output code binary code

Code course (counting direction) programmable,
cw ascending (clockwise rotation, code course ascending)
cw descending (clockwise rotation, code course descending)

Interface

Interface type PROFIBUS

Resolution

Single turn up to 16 Bit

Multiturn 14 Bit

Overall resolution up to 30 Bit

Transfer rate 0.0096 ... 12 MBit/s

Standard conformity PNO profile 3.062, RS 485

Connection

Terminal compartment in removable housing cover

Standard conformity

Protection degree DIN EN 60529, IP65

IP66 (with shaft seal)

Climatic testing DIN EN 60068-2-30, no moisture condensation

Emitted interference EN 61000-6-4:2007

Noise immunity EN 61000-6-2:2005

Shock resistance DIN EN 60068-2-27, 100 g, 6 ms

Vibration resistance DIN EN 60068-2-6, 20 g, 10 ... 2000 Hz

Ambient conditions

Operating temperature -40 ... 85 °C (-40 ... 185 °F)

Storage temperature -40 ... 85 °C (-40 ... 185 °F)

Mechanical specifications

Material

Combination 1 housing: powder coated aluminium

flange: aluminium

shaft: stainless steel

Combination 2 (Inox)

housing: stainless steel

flange: stainless steel

shaft: stainless steel

Mass

approx. 600 g (combination 1)

approx. 1200 g (combination 2)

Rotational speed

max. 12000 min⁻¹

Moment of inertia

30 gcm²

Starting torque

≤ 3 Ncm (version without shaft seal)

Tightening torque, fastening screws

max. 1.8 Nm

Shaft load

Angle offset

± 0.9 °

Axial offset

static: ± 0.3 mm, dynamic: ± 0.1 mm

Radial offset

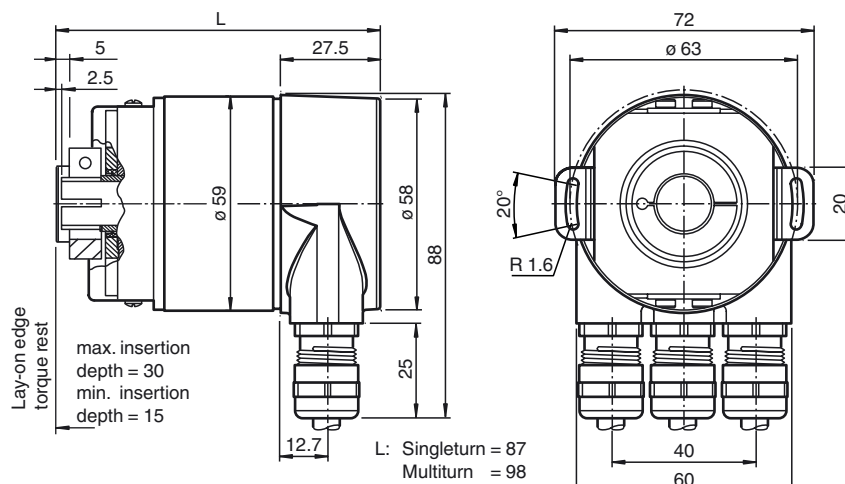
static: ± 0.5 mm, dynamic: ± 0.2 mm

Approvals and certificates

UL approval

cULus Listed, General Purpose, Class 2 Power Source

Dimensions



Accessories

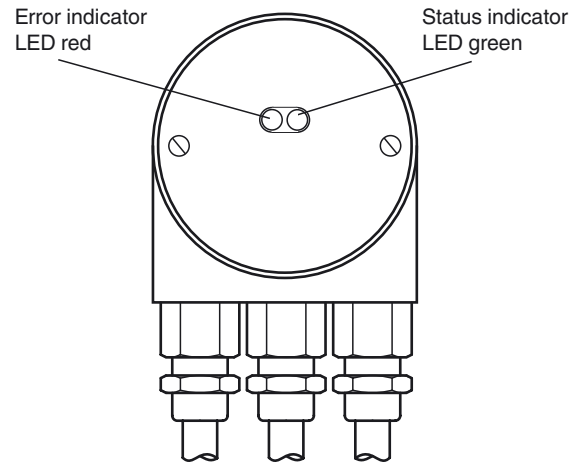
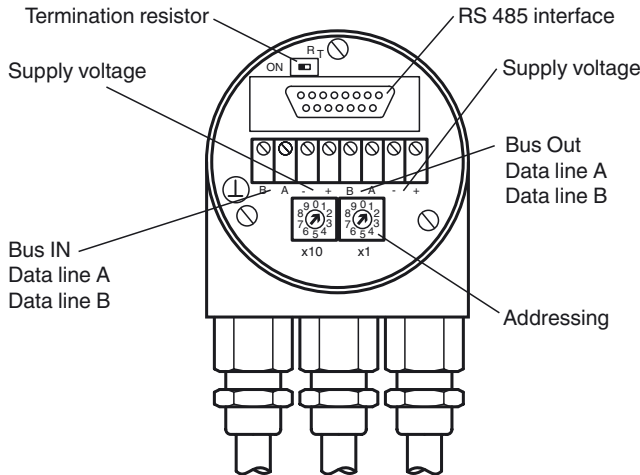
AH 58-B1CA-2BW

Electrical connection

Terminal	Explanation
\perp	Ground connection for power supply
B (left)	Data line B (pair 1), Bus In
A (left)	Data line A (pair 1), Bus In
(-)	0 V
(+)	10 V ... 30 V
B (right)	Data line B (pair 2), Bus Out
A (right)	Data line A (pair 2), Bus Out
(-)	0 V
(+)	10 V ... 30 V
	The supply lines only have to be connected once (regardless to which terminal). The outgoing bus is being uncoupled while the terminal resistor is on.

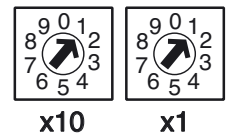
The arrangement of the terminals is shown in the section operating elements.

Indicating and operating elements



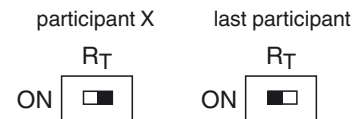
Adjusting the participant address

The participant address can be adjusted with the rotary switches. The address can be defined between 1 and 99, and may only be assigned once.



EAdjusting the termination resistor

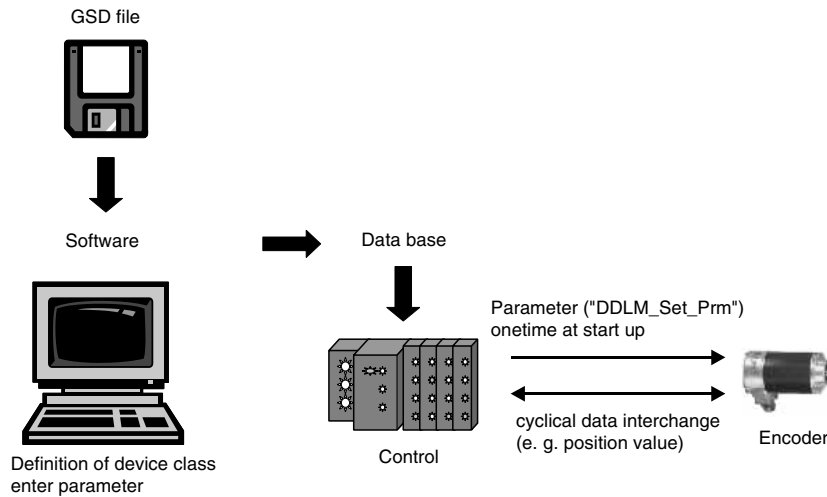
The terminating resistor R_T (121 Ω) can be connected to the circuit by means of the switch:



LED-indicators

LED red	LED green	Meaning
off	off	No voltage supply
on	on	Encoder ready, no configuration data received. possible reasons: - wrong address adjusted - wrong bus wiring
on	flashing	Parameterising or configuration error. Encoder receives data of incorrect length or inconsistent data. possible reason: - adjusted encoder resolution exceeds
flashing	on	Encoder ready, no communication with master (i.e. wrong address setting)
on	off	Data timeout (> 40 s). (i.e. data lines interrupted)
off	on	Normal operation, Data Exchange Mode
off	flashing	Installation Mode in Data Exchange Mode.

Principle of data transmission



Parameter table encoder classes P+F 2.1 and P+F 2.2

Octet number (Byte)	Parameter	Bit number
1...8	PROFIBUS standard parameters	
9	Direction of rotation	0
	Class 2 functionality	1
	Commissioning Diagnostics	2
	Scaling function	3
	Reserved	4
	Reserved	5
	Activate manufacturer specific parameters (Octet 26)	6
	Reserved	7
10 ... 13	Desired measuring steps (reference: Octet 26, Bit 0 and 1)	
14 ... 17	Overall resolution	
18 ... 25	Reserved	
26	Reference for desired measuring steps	0
		1
	Activate commissioning mode	2
	Reduced diagnosis	3
	Reserved	4
	Activate lower software limit switch	5
	Activate upper software limit switch	6
	Activation of the parameters from Octet 27	7
27 ... 30	Lower limit switch	
31 ... 34	Upper limit switch	
35 ... 38	Physical measuring steps	
39	Reserved	0
	Rotary encoder type (singleturn or multiturn)	1
	Reserved	2
	Reserved	3
	Selection of the unit for speed transfer	4
		5
	Reserved	6
	Reserved	7

Release date: 2012-06-20 12:50 Date of issue: 2012-06-20 t49155_eng.xml

Order code



- Number of bits singleturn**
 - 13 8192 (standard)
 - 16 65536
- Number of bits multiturn**
 - 12 4096 (standard)
 - 14 16384
- Option 2**
 - N Not expanded
- Output code**
 - B Binary
- Option 1**
 - 0 No option
- Exit position**
 - R Radial
- Connection type**
 - AG Removable housing cover with terminal compartment
 - AZ Removable housing cover with M12 connectors
- Shaft dimension/flange version**
 - F1A Recessed hollow shaft Ø10 mm x 30 mm
 - F2A Recessed hollow shaft Ø12 mm x 30 mm
 - F3A Recessed hollow shaft Ø15 mm x 30 mm
- Housing material**
 - N Aluminium, powder coated
 - I Inox
 - W Aluminium, powder coated with shaft seal
- Principle of operation**
 - M Multiturn
- Shaft version**
 - S Recessed hollow shaft
- Data format**
 - P PROFIBUS

Release date: 2012-06-20 12:50 Date of issue: 2012-06-20 t49155_eng.xml