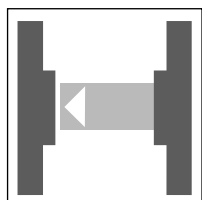


Series -F22



Through beam sensor

OCE15M-F22-SA0-V15
OCE15M-F22-SA2-V15



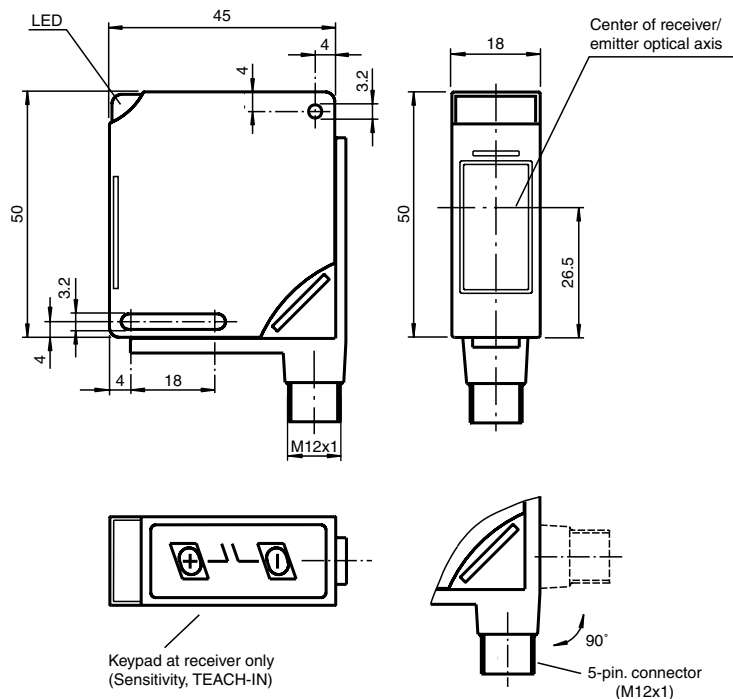
15000 mm



Features

- Visible red light
- Pre-fault indication and output (dynamic and static)
- Automatic adjustment of the sensitivity via TEACH-IN
- Detection of partially transparent objects
- Parameterisable via optical communication link (e.g. free step values for time function)
- Connector (M12x1) 90° adjustable position
- Protection class IP68
- All materials approved for food industry applications
- Multifunction input

Dimensions

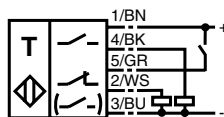


Connectors, mounting accessories etc... see "accessories" section

e.g. connectors: V15-G-2M-PVC (straight)
V15-W-2M-PUR (angled)

Electrical connection

A2:

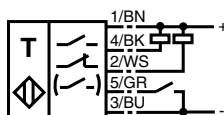


Receiver

(OCE15M-F22-A2-V15
/ OCE15M-F22-A0-V15)

- 1 - Supply +
- 2 - inverted switch output or pre-fault output (programmable)
- 3 - Supply -
- 4 - Switch output
- 5 - Control input

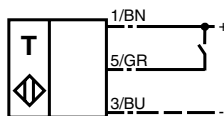
A0:



Emitter

(OCE15M-F22-V15)

- 1 - Supply +
- 5 - Test input
- 3 - Supply -



Technical data

Valid for the whole family

General specifications

Sensing range	0 ... 15 m
Adjustment range	2 ... 15 m
Reference target	Receiver
Light type	Red light 660 nm
Diameter of the light spot	500 mm at a distance of 15 m
Ambient light limit	≤ 10000 Lux sun light ≤ 7500 Lux halogen light
Standard conformity	EN 60947-5-2

Electrical specifications

Rated operational voltage	U_e	10 ... 30 V DC , ripple 10 % _{SS}
No-load supply current	I_0	≤ 25 mA (device)
Time delay before availability	t_v	≤ 400 ms (with time delay before availability)

Indicating/operating means

LED yellow	Switching state (receiver only)
LED green	Power on
LED red	only receiver: flushing in TEACH-IN mode
Key	Receiver: 2 Hz flushing: pre-fault indication 65 ms: press the key to quit +/- for the adjustment of the sensing range and teach in

Output

Rated operational current	I_e	≤ 200 mA , every output, short and overload protected
Voltage drop	U_d	≤ 2.5 V DC
Switching frequency	f	≤ 1 kHz
Switch-on delay	t_{on}	≤ 0.6 ms

Input

Internal resistor	≥ 12 kOhm
Switch-on delay	< 3 ms
Switch-off delay	< 3 ms

Ambient conditions

Ambient temperature	-25 ... 70 °C (248 ... 343 K)
Storage temperature	-40 ... 70 °C (233 ... 343 K)

Mechanical specifications

Protection degree	IP68 according to EN 60529
Connection type	connector V15 (M12 x 1), 5 pin, rotatable through 90°

Material

Housing	PBT
Light exit	Scratch resistant plastic plate
Connector	AISI
Dove tail	AISI
Mass	60 g (device)

Version data

Model number	OCE15M-F22-SA0-V15	OCE15M-F22-SA2-V15
Output type	2 switch outputs npn, parameterisable as - NO/NC (antivalent) - NO and pre-fault indication - NC and pre-fault indication	2 switch outputs pnp, parameterisable as - NO/NC (antivalent) - NO and pre-fault indication - NC and pre-fault indication
Input type	Emitter: 1 test input, non active: ≤ 3 V or not connected; active: ≥ 7 V receiver: 1 control input, non active: ≥ 7 V or open; active: ≤ 3 V	Emitter: 1 test input Receiver: 1 control input respectively: non active: ≤ 3 V or unswitched; active: ≥ 7 V

Model number

OCE15M-F22-SA0-V15
OCE15M-F22-SA2-V15

Characteristic curves

Characteristic response curve

